



ALUXIL
A L U M I N I U M

Catalog of Aluminium Profiles

Version **03**
2023-2024

©Copyright Allrights Reserved
IT SHALL NOT BE REPRODUCE

6063 -T4 Mechanical Analysis		
Physical & mechanical properties	Metric system	English system
Density	2.7 g/cc	0.0975 lb/in ³
Brinell hardness	60-65	60-65
Ultimate tensile strength	172 MPa	25000 psi
Tensile strength	89.6 MPa	13000 psi
Length increase at break point	22 %	22 %
Modulus of elasticity	68.9 GPa	10000 ksi
Poisson ratio	0.33	0.33
Machining	50 %	50 %
Shear modulus	25.8 GPa	3740 ksi
Shear strength	110 MPa	16000 psi
electrical resistance	3.3e-006 ohm-cm	3.3e-006 ohm-cm
F ° 68 line CTE	23.4 µm/m-°C	13 µin/in-°F
C °250 line CTE	25.6 µm/m-°C	14.2 µin/in-°F
Specific heat capacity	0.9 J/g-°C	0.215 BTU/lb-°F
Thermal conductivity	200 W/m-K	1390 BTU-in/hr-ft ² -°F
Melting point	616 - 654 °C	1140 – 1120 °F
Freezing line	616 °C	1140 °F
liquidus	654 °C	1210 °F
Annealing	413 °C	775 °F
Soluble temperature	521 °C	970 °F
Aging temeprature	177 °C	350 °F

6063 -T4 Chemical analysis									
Aluminium	Copper	Chrome	Titanium	Zinc	Silicone	Magnesium	Iron	Mangans	Chemical Element
Balance	0.0-0.10	0.0-0.10	0.0-0.10	0.0-0.10	0.20-0.60	0.45 -0.90	0.0 -0.35	0.0-0.10	Percent



ALUXIL
A L U M I N I U M

Index

Hinged Group	
TH90	» 06
TH68	» 11
TH78	» 18
Sliding Systems	
TS153	» 24
Additional Systems	
Folding Door	» 28
Guillotine	» 38
Skyroof	» 41
Glass Handrail	» 46
Curtain Wall Systems	
Caped	» 49
Semi caped	» 53
Steel Reinforced (65 _{mm})	» 57
Caped (60 _{mm})	» 61

© Copyright Allrights reserved it shall not be reproduce
Aluminium Profiles Catalog / 2023 - 2024

Door and window as well as the Curtain wall systems estimation and calculation are approved in the **orgadata** software.

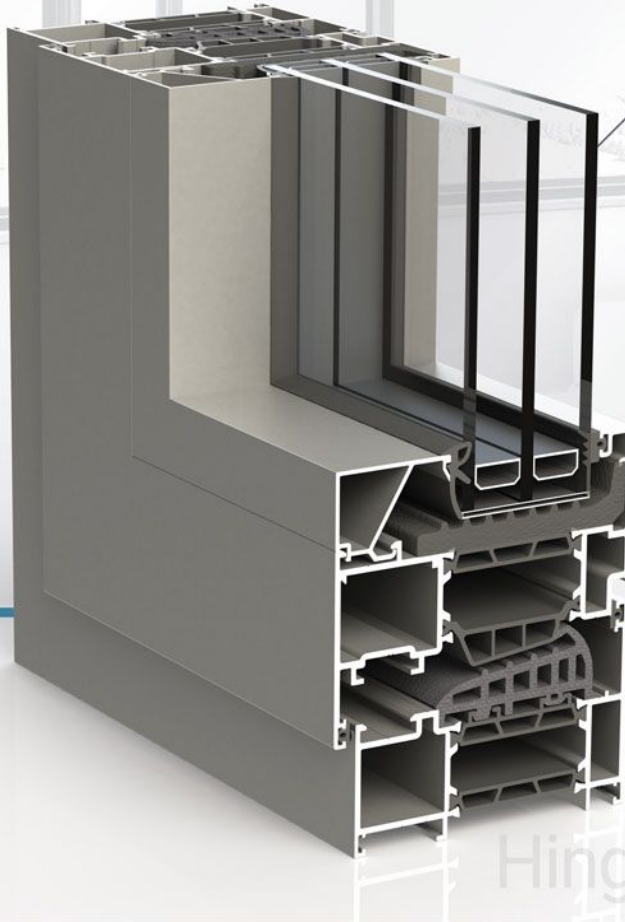






TH90

Hinged Door & Window
Hidden vent Hinged Window
Uf: 0.758 W(m².k)



Thermal Break

New

TH90

Hinged Door & Window
Hidden vent Hinged Window

System Specification

Possibility to install European fittings

EPDM identification and sealing gaskets

Product code:	TH90
Frame width:	90 mm
Sash width:	96 mm
Wall thickness:	5.2 - 1.8 mm
Polyamide size:	45 mm
Thermal guidance with 33 mm glass:	Uf: 0.7w/m2k
Appearance:	Flat and smooth from the outside and inside
Type of corner fixture:	Riveted
Thickness of glass:	42 to 60 mm



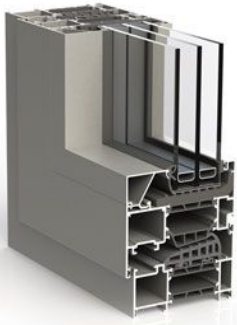
Hidden vent

Turn

Tilt and Turn

Tilt and Slide

French



Hinged Series

TH90 System Accessories
 Hinged Door & Window
 Hidden vent Hinged Window
 Uf: 0.758 W/(m².k)

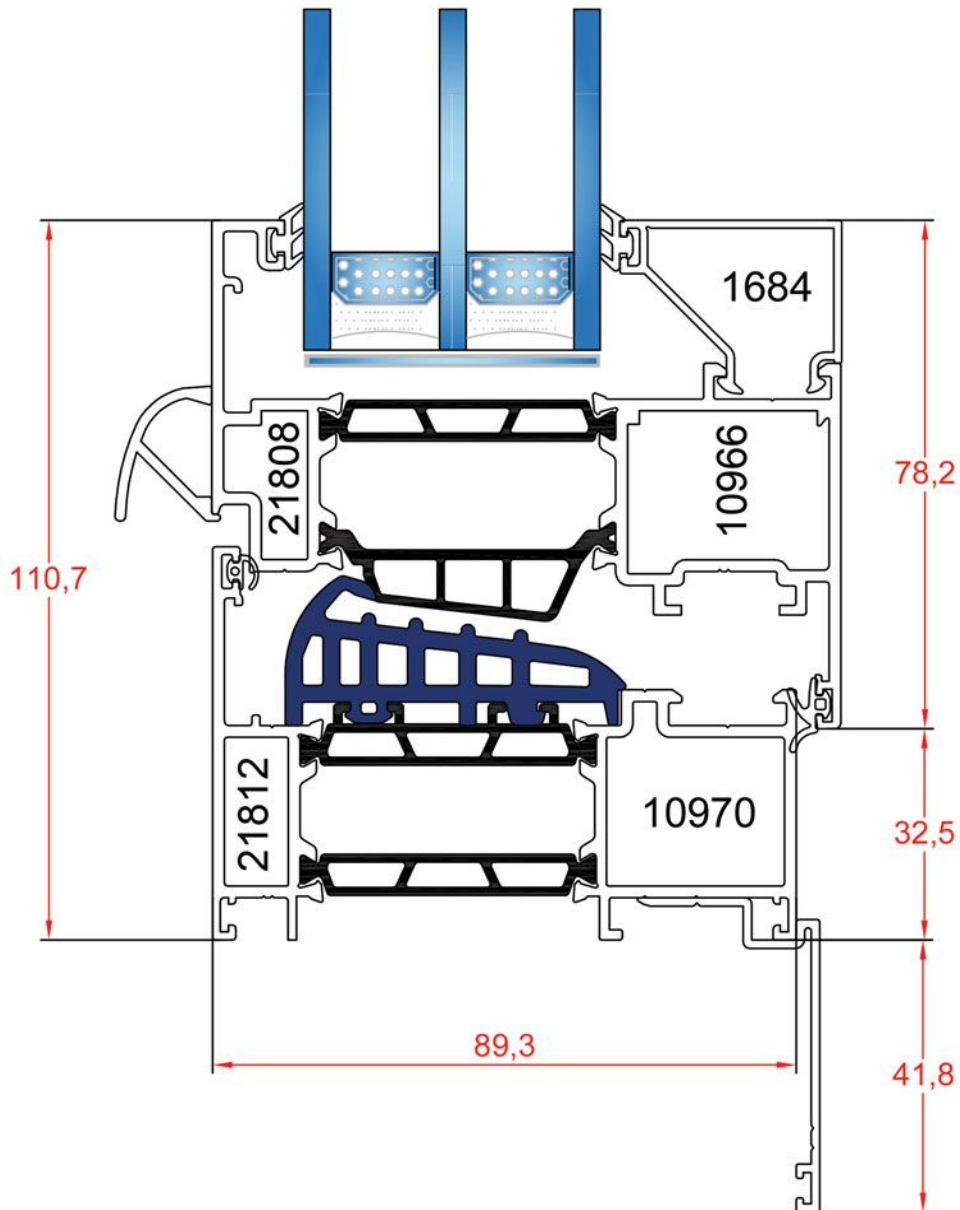
Thermal Break

New

Please scan



This system is on the website



Hinged Group

Sliding Group

Additional

Curtain Wall

Please scan



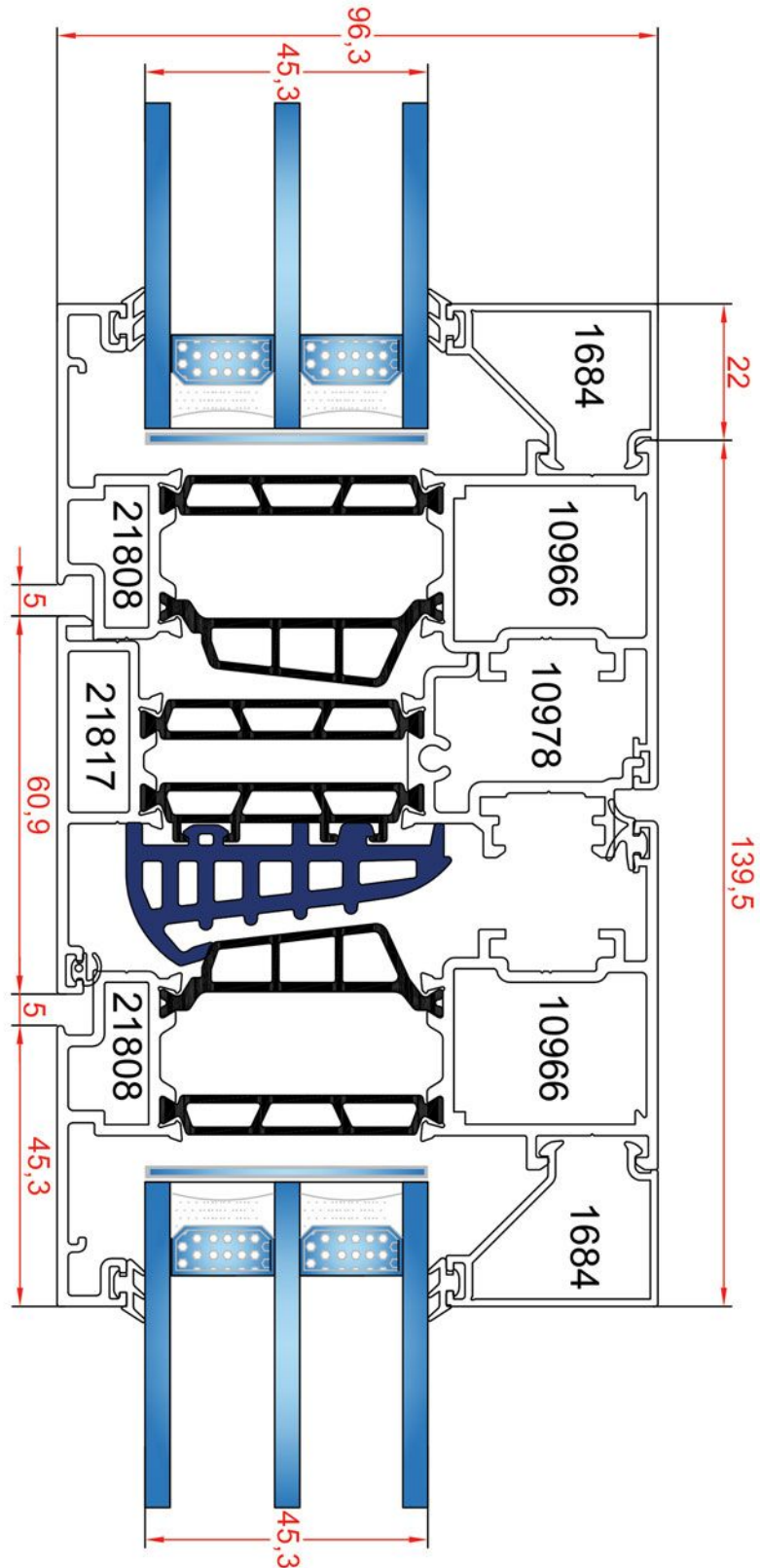
This system is on the website

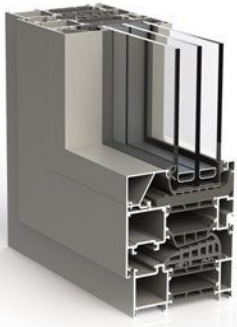
Hinged Series

TH90 System Accessories
 Hinged Door & Window
 Hidden vent Hinged Window
 Uf: 0,758 W(m²·K)

Thermal Break

New





Hinged Series ●●●●●●●●

TH90 System Accessories
 Hinged Door & Window
 Hidden vent Hinged Window
 Uf: 0.758 W(m².k)

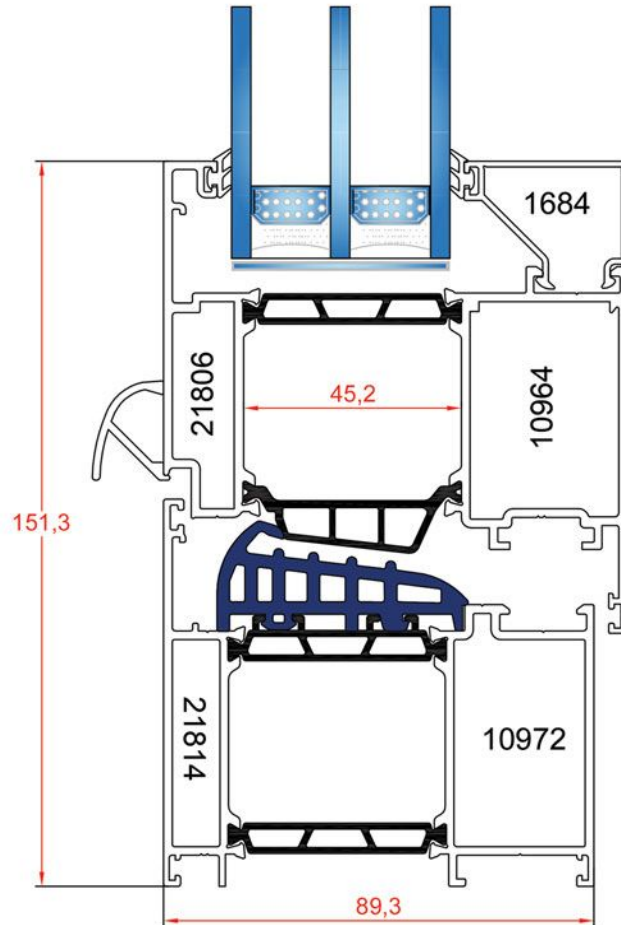
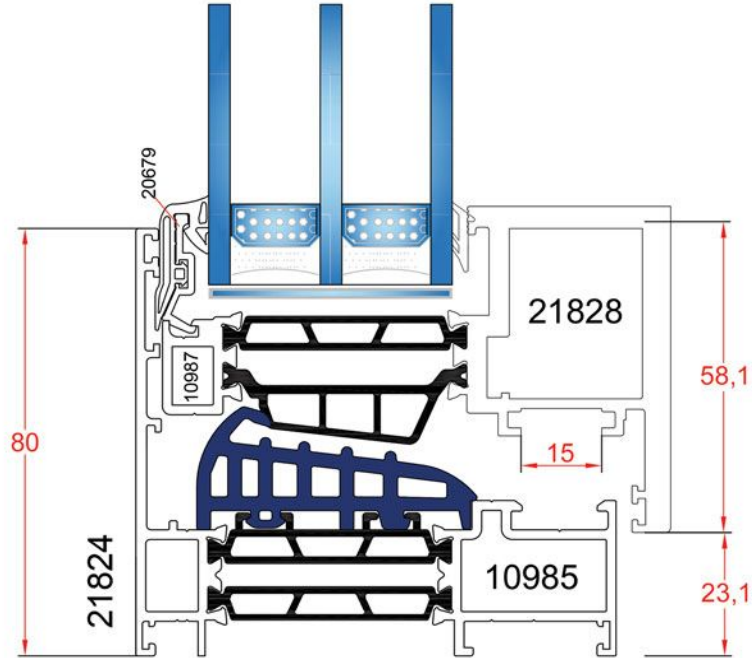
Thermal Break

New

Please scan



This system is on the website

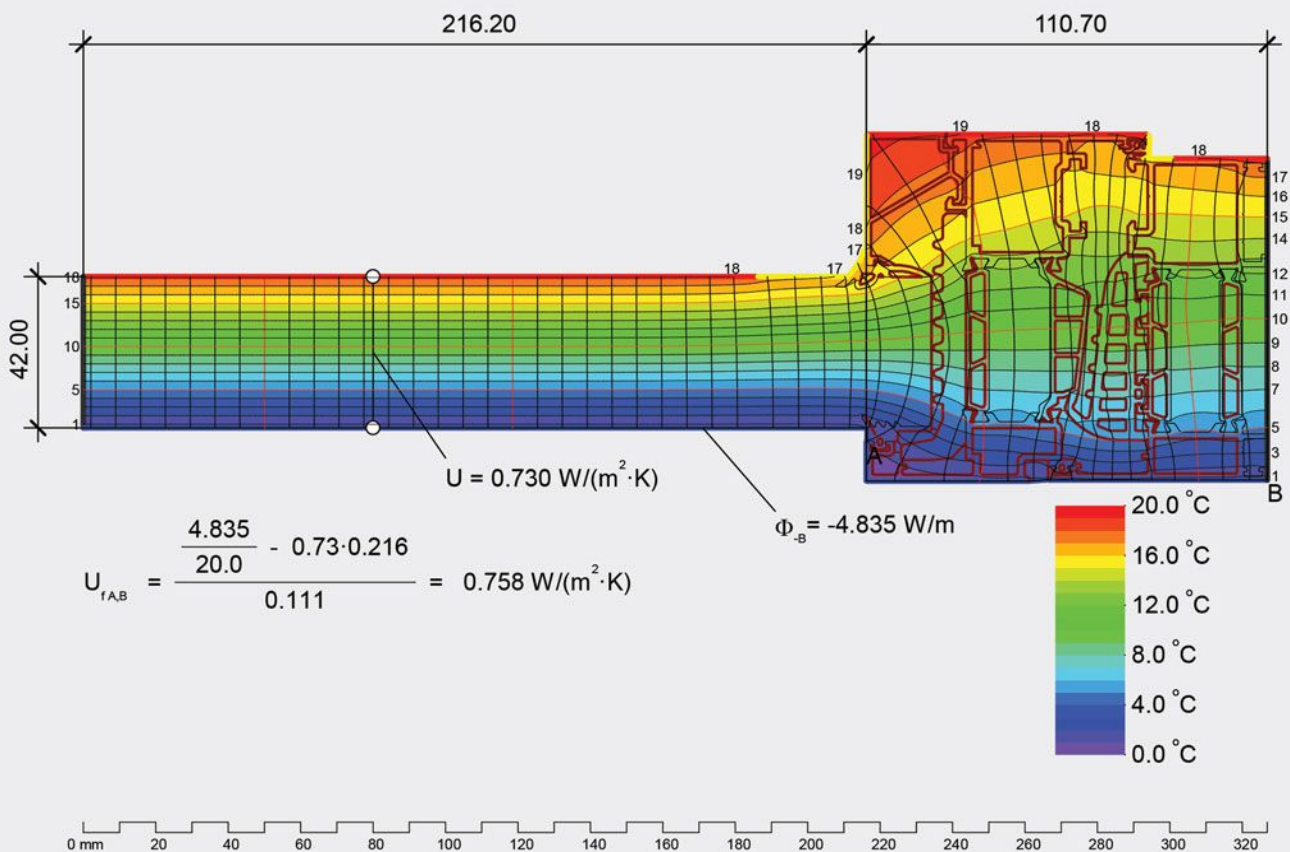


- Hinged Group
- Sliding Group
- Additional
- Curtain Wall

TH90

Hinged Door & Window

Hidden vent Hinged Window



Boundary Condition $q[\text{W/m}^2]$ $\theta[^\circ\text{C}]$ $R[(\text{m}^2 \cdot \text{K})/\text{W}]$ ϵ

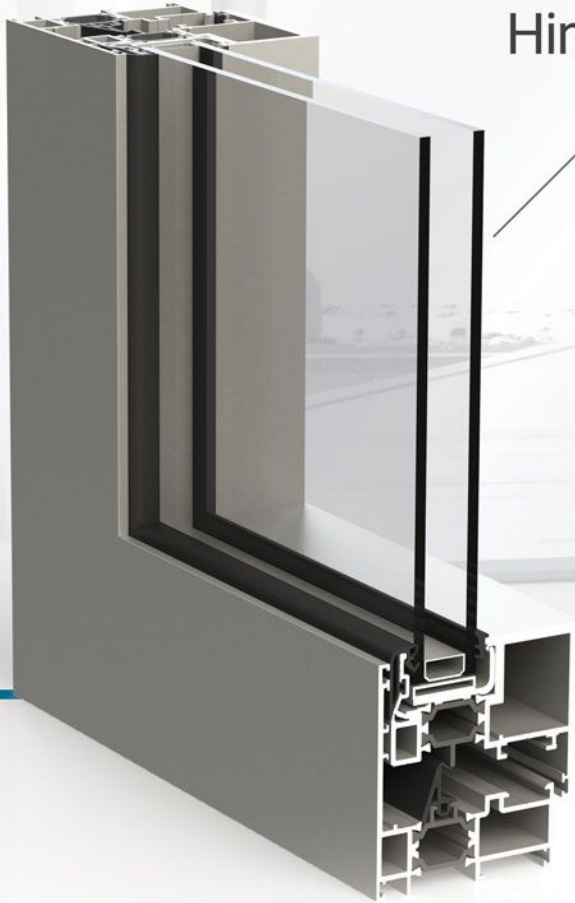
Material	$\lambda[\text{W}/(\text{m} \cdot \text{K})]$	ϵ
Aluminium 6063 T4	0.027	0.900
EPDM (ethylene propylene diene monomer)	0.250	0.900
Elastomeric foam, flexible	0.050	0.900
Glass	0.035	0.900
Polyamid 6.6 with 25% glass fibre	0.300	0.900
Slightly ventilated air cavity *		
Unventilated air cavity *		

* EN ISO 10077-2:2017, 6.4.3/anisotrop

TH68

Hinged Door & Window
Hidden vent Hinged Window

Uf: 2.80w/m2k



Thermal Break

New

TH68

Hinged Door & Window
Hidden vent Hinged Window

System Specification

Possibility to install European fittings

EPDM identification and sealing gaskets

Product code:	TH68
Frame width:	68 mm
Sash width:	75 mm
Wall thickness:	1.7-1.8 mm
Polyamide size:	24 mm
Thermal guidance with 30 mm glass:	Uf: 2.80w/m2k
Appearance:	Flat and smooth from the outside and inside
Type of corner fixture:	Riveted
Thickness of glass:	20 to 54 mm



Hidden vent

Pivot

Turn

Tilt and Turn

Tilt and Slide

French

Please scan



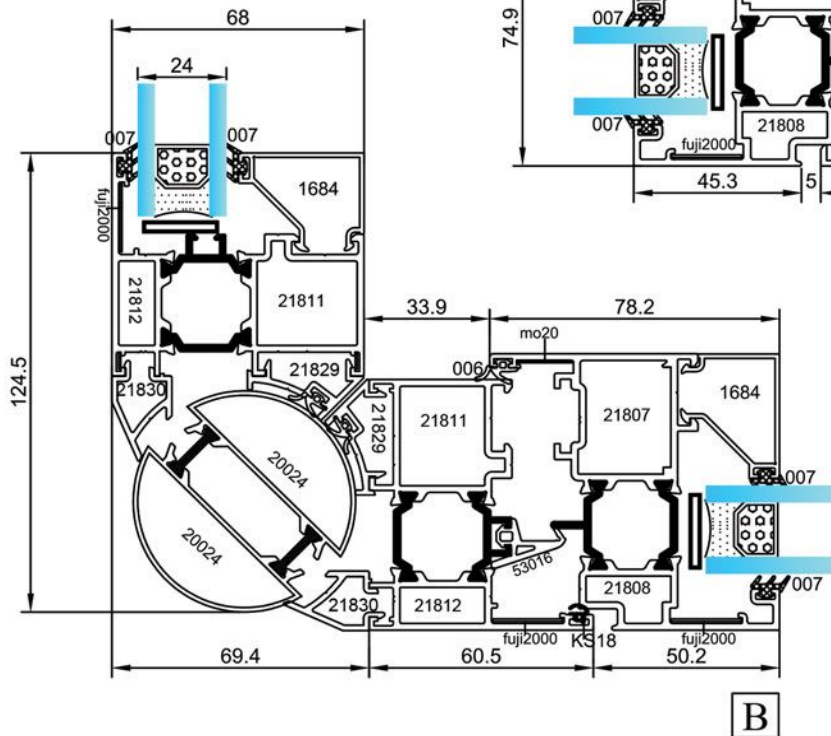
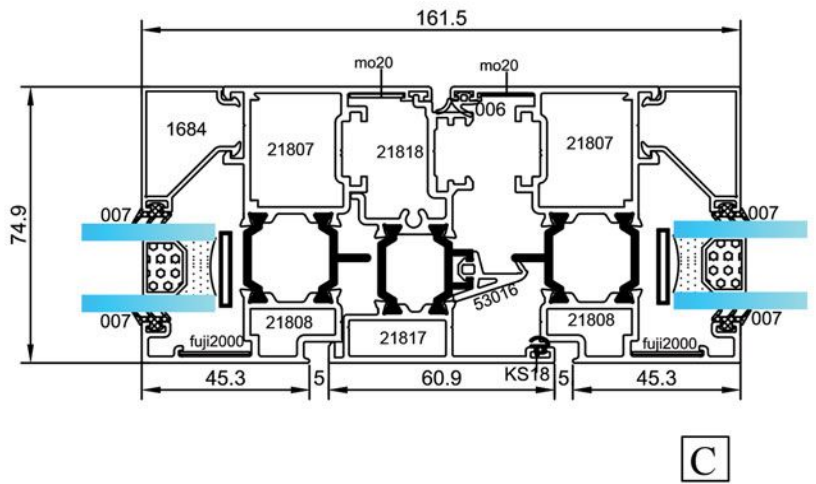
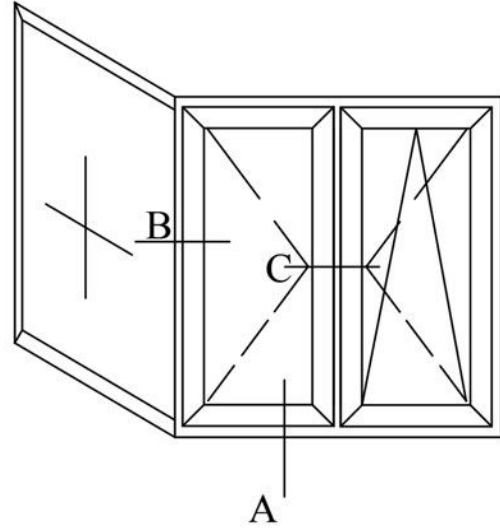
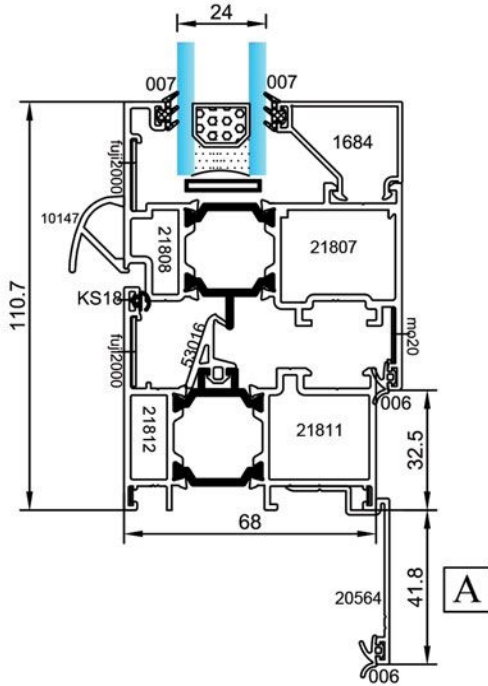
This system is on the website

Hinged Series

TH68 System Accessories
Hinged Door & Window
Hidden vent Hinged Window
Uf: 2,80w/m2k

Thermal Break

New





Hinged Series

TH68 System Accessories
 Hinged Door & Window
 Hidden vent Hinged Window
 Uf: 2.80w/m2k

Thermal Break

New

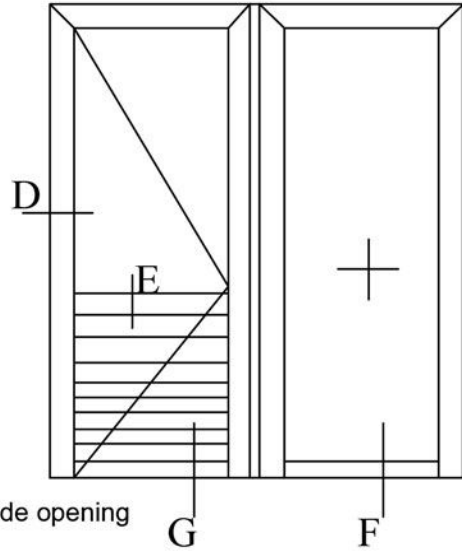
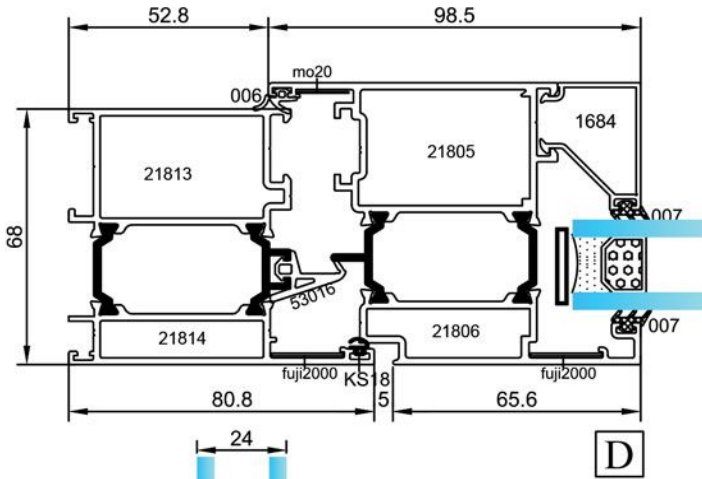
Please scan



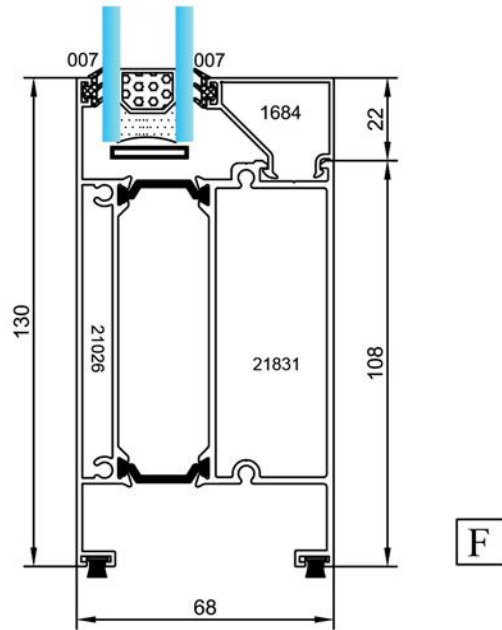
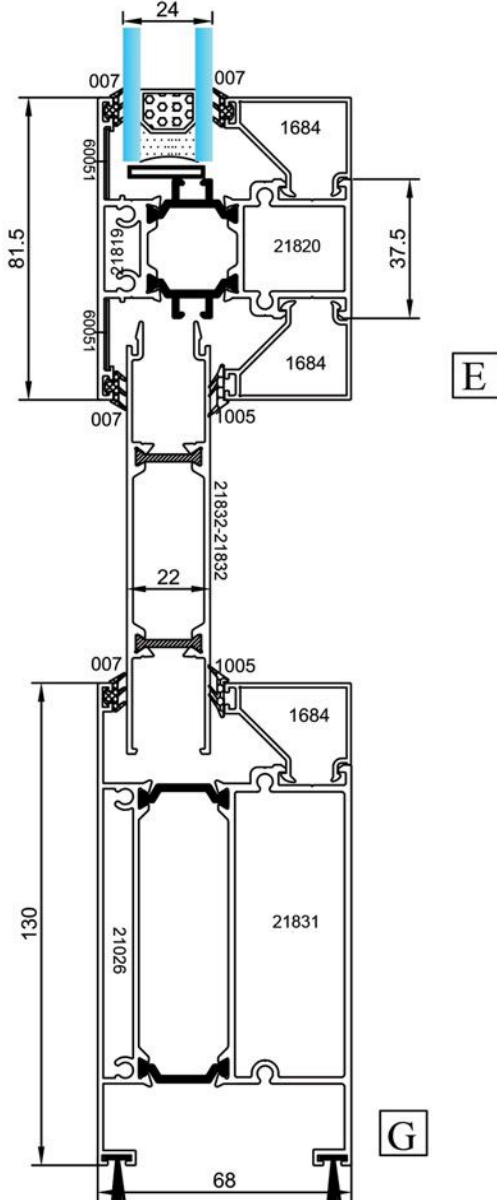
This system is on the website



ALUXIL
 ALUMINIUM



inside opening



Hiđeđ Glonb

Zijiqiđ Glonb

Yaqdijousi

liw nienu

Please scan



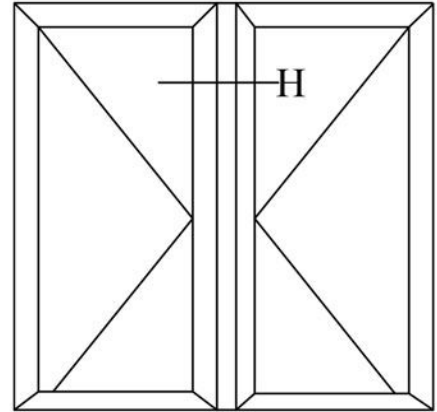
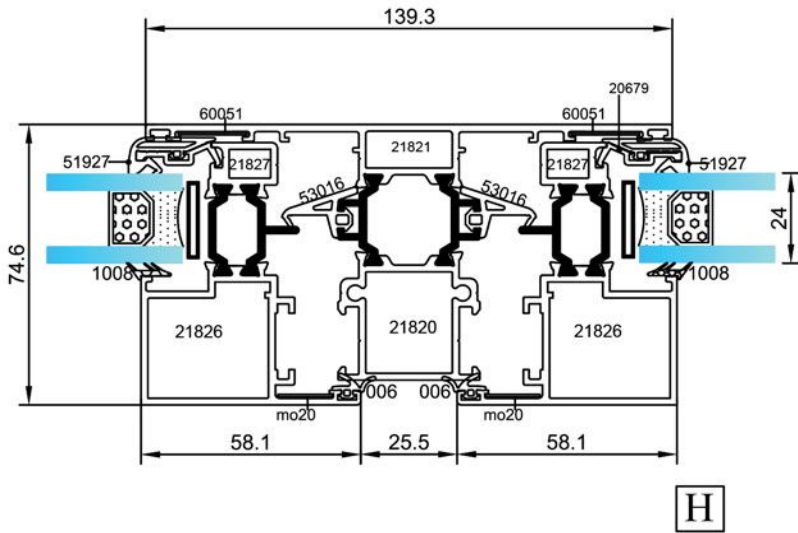
This system is on the website

Hinged Series

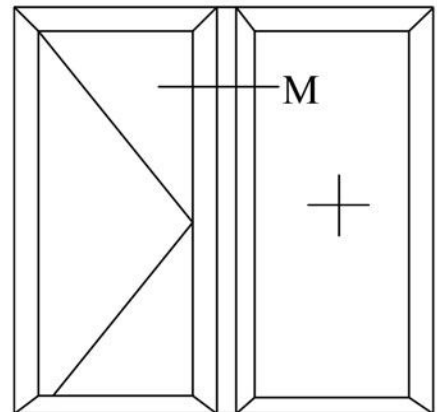
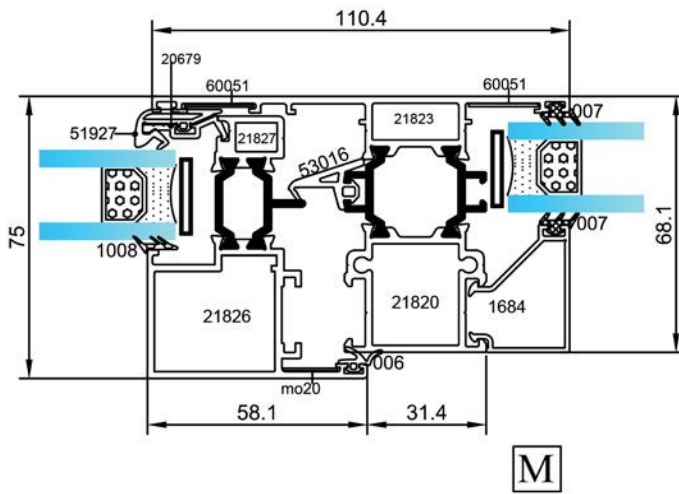
TH68 System Accessories
Hinged Door & Window
Hidden vent Hinged Window
Uf: 2,80w/m2k

Thermal Break

New



H



M



Hinged Series ●●●●●●●●

TH68 System Accessories
 Hinged Door & Window
 Hidden vent Hinged Window
 Uf: 2,80w/m2k

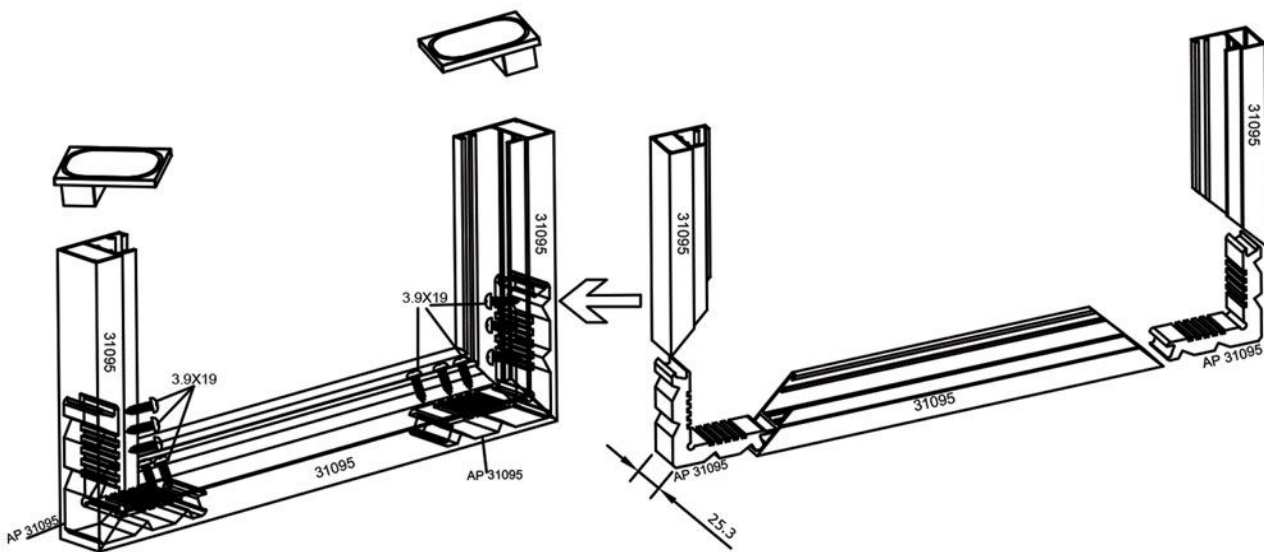
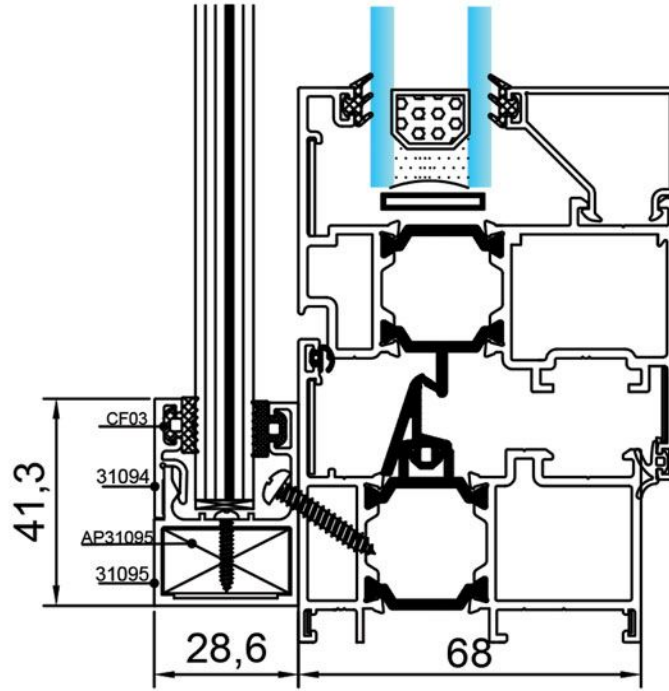
Thermal Break

New

Please scan



This system is on the website



Hinged Glomb
 Zilqiu Glomb
 Ierqilousi
 Ciusiu Msi

Please scan



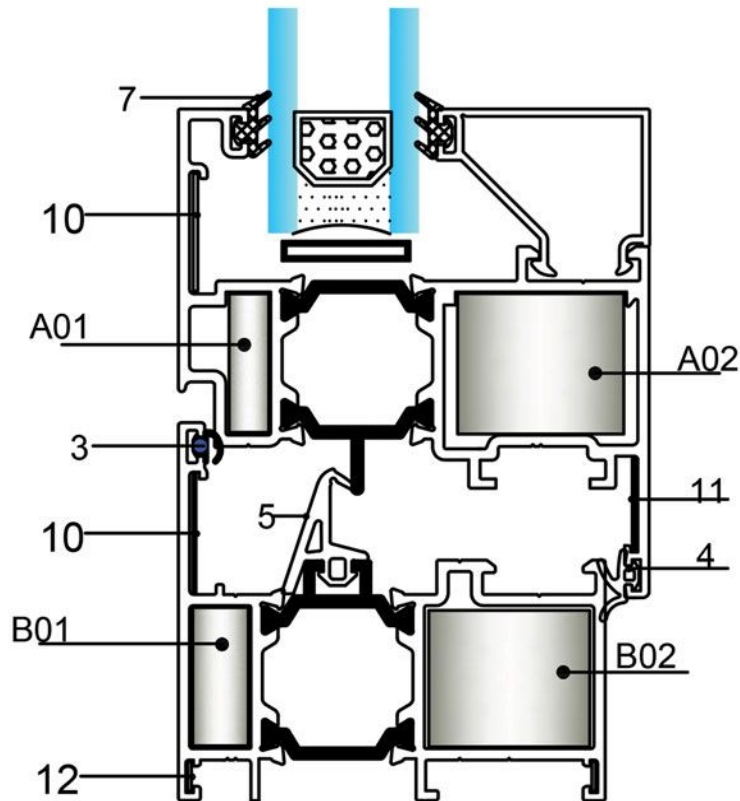
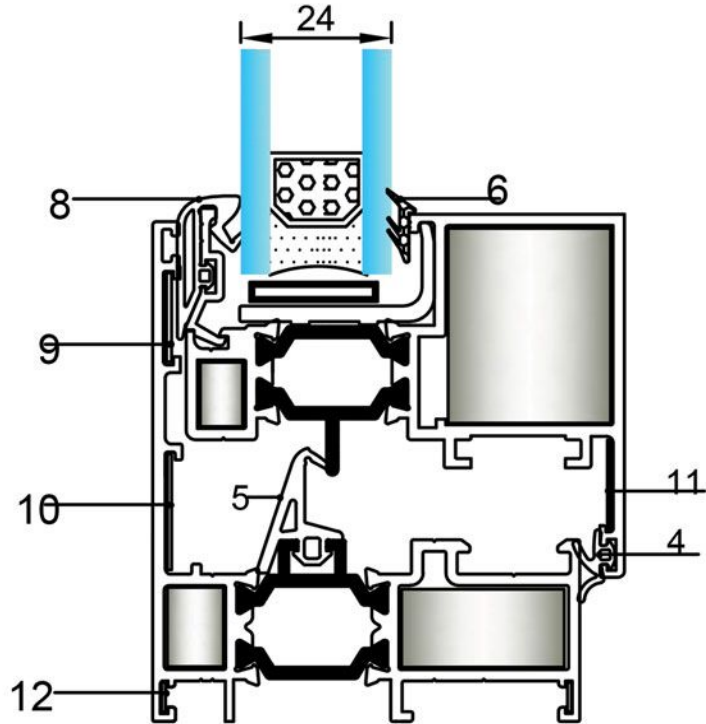
This system is on the website

Hinged Series

TH68 System Accessories
Hinged Door & Window
Hidden vent Hinged Window
Uf: 2,80w/m2k

Thermal Break

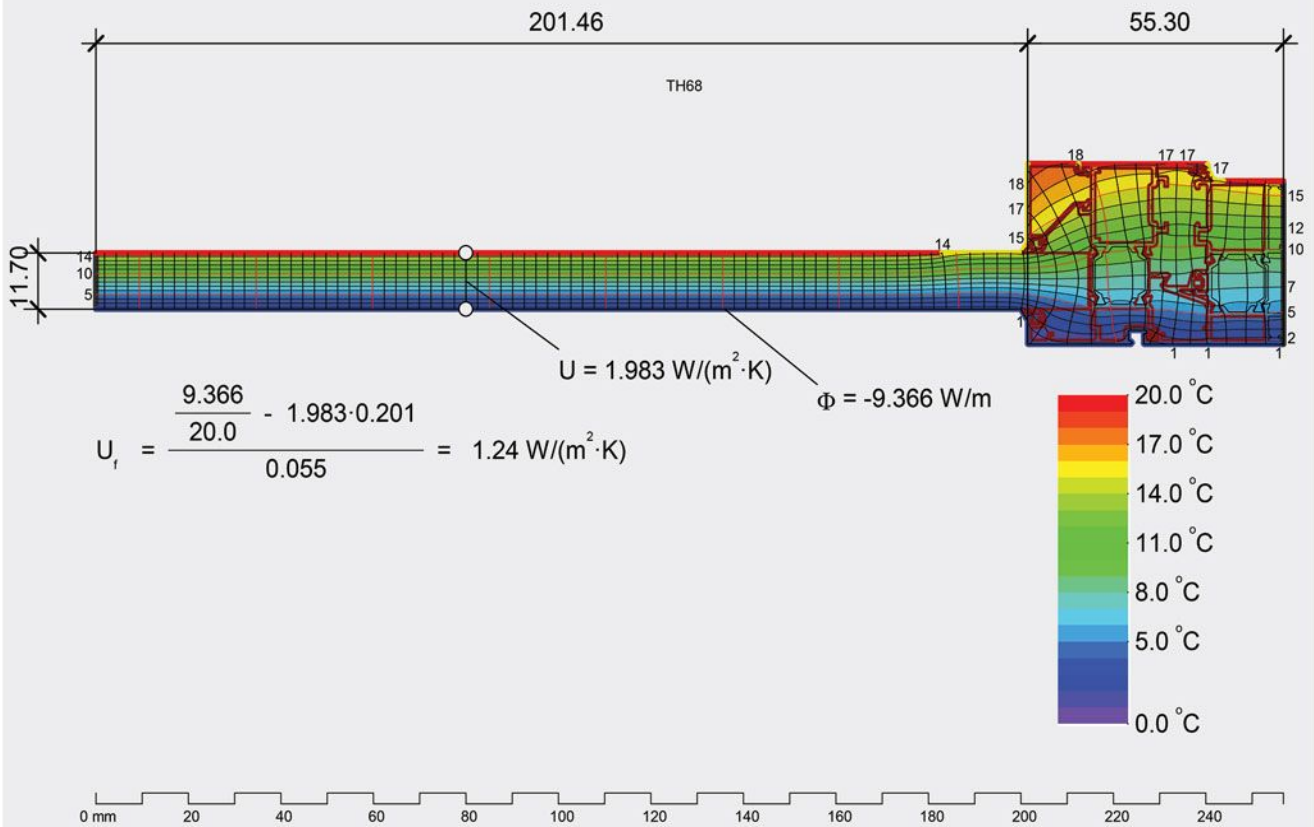
New



TH68

Hinged Door & Window

Hidden vent Hinged Window



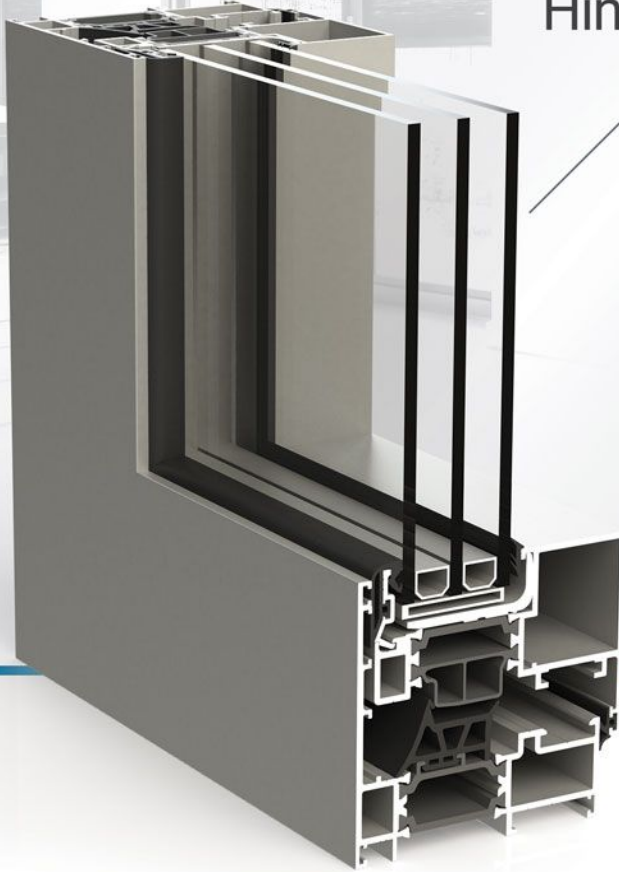
Material	λ [W/(m·K)]	ϵ	Boundary Condition	q [W/m ²]	θ [°C]	R [(m ² ·K)/W]	ϵ
6063-T4	0.027	0.900	n 0.9				0.900
EPDM (ethylene propylene diene monomer)	0.250	0.900	or, frame		0.000	0.040	
Elastomeric foam, flexible	0.050	0.900	r, frame, normal		20.000	0.130	
Panel	0.035	0.900	r, frame, reduced		20.000	0.200	
Polyamid 6.6 with 25% glass fibre	0.300	0.900	etry/Model section	0.000			
Unventilated air cavity *							

* EN ISO 10077-2:2017, 6.4.3/anisotrop

TH78

Hinged Door & Window
Hidden vent Hinged Window

Uf: 1.83w/m2k



Thermal Break

New

TH78

Hinged Door & Window
Hidden vent Hinged Window

System Specification

Possibility to install European fittings

EPDM identification and sealing gaskets

Product code:	TH78
Frame width:	78 mm
Sash width:	85 mm
Wall thickness:	1.7 - 1.8 mm
Polyamide size:	34 mm
Thermal guidance with 33 mm glass:	Uf: 1.83w/m2k
Appearance:	Flat and smooth from the outside and inside
Type of corner fixture:	Riveted
Thickness of glass:	30 to 54 mm



Hidden vent

Turn

Tilt and Turn

Tilt and Slide

French



Hinged Series

TH78 System Accessories
 Hinged Door & Window
 Hidden vent Hinged Window
 Uf: 1,83w/m2k

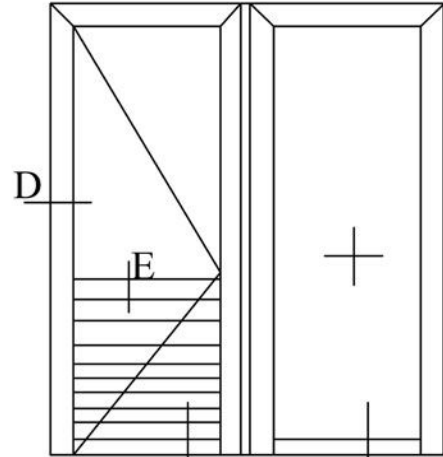
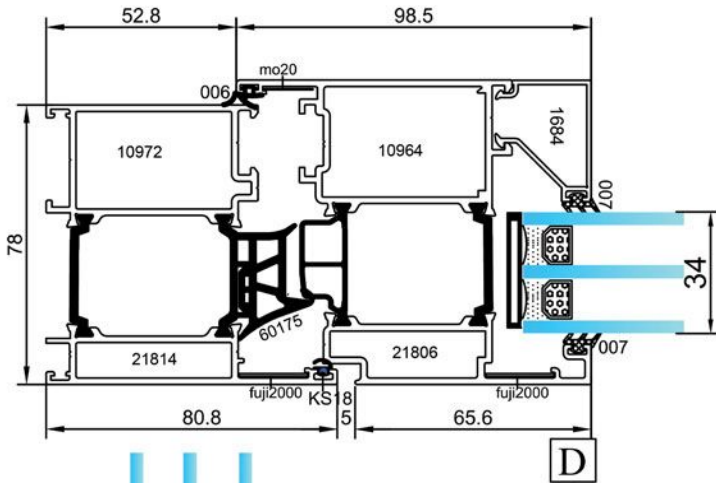
Thermal Break

New

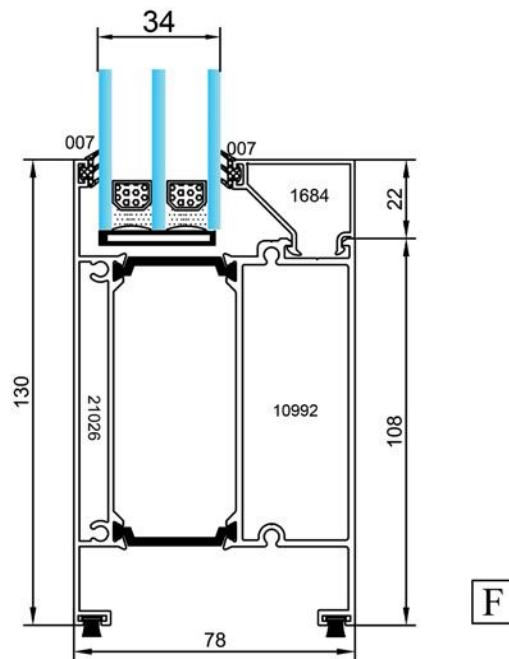
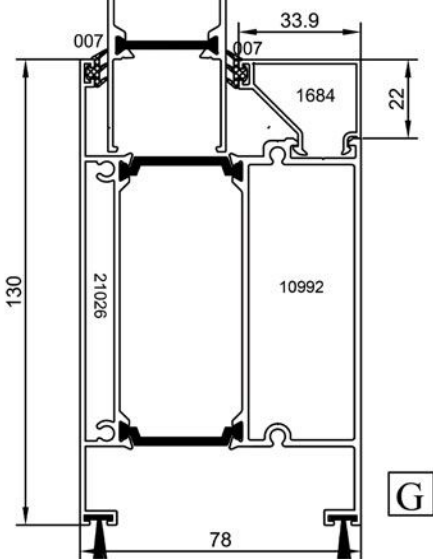
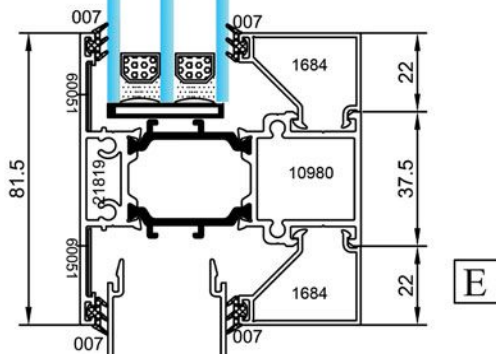
Please scan



This system is on the website



inside opening



Hinged Glomb
 Zilqub Glomb
 Yaqbilquril
 Ilaq nishil



Hinged Series

TH78 System Accessories
 Hinged Door & Window
 Hidden vent Hinged Window
 Uf: 1,83w/m2k

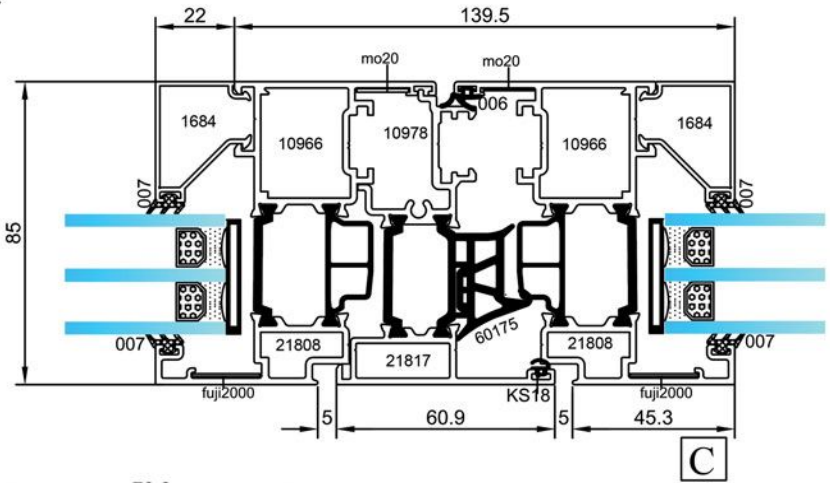
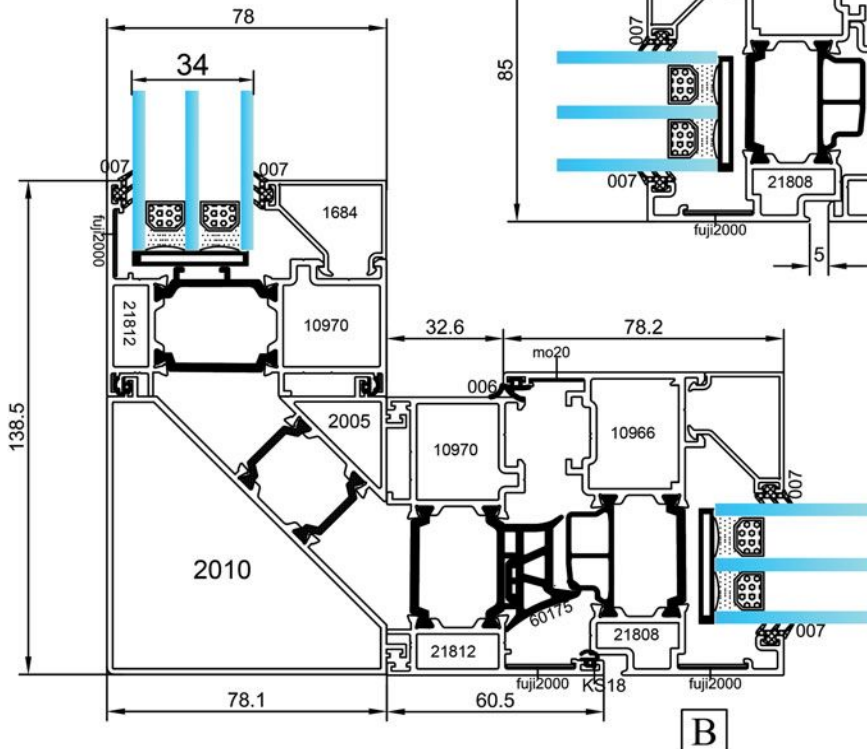
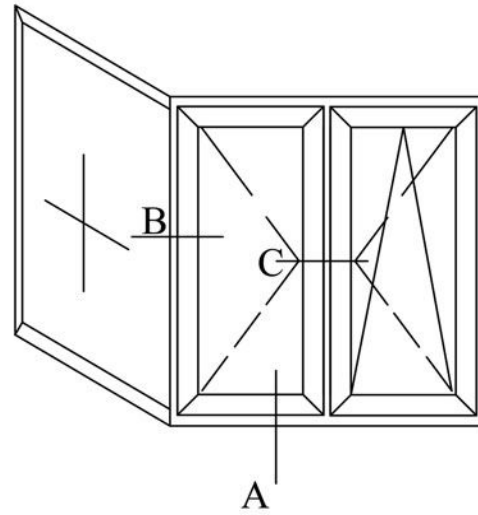
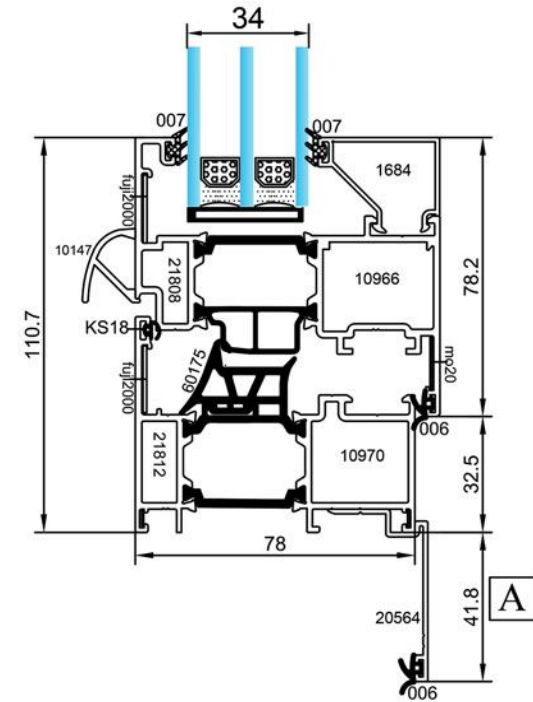
Thermal Break

New

Please scan



This system is on the website



Hüdeq Glomb
 Ziqiqub Glomb
 Yaqiqousil
 Chiqusu Melli

Please scan



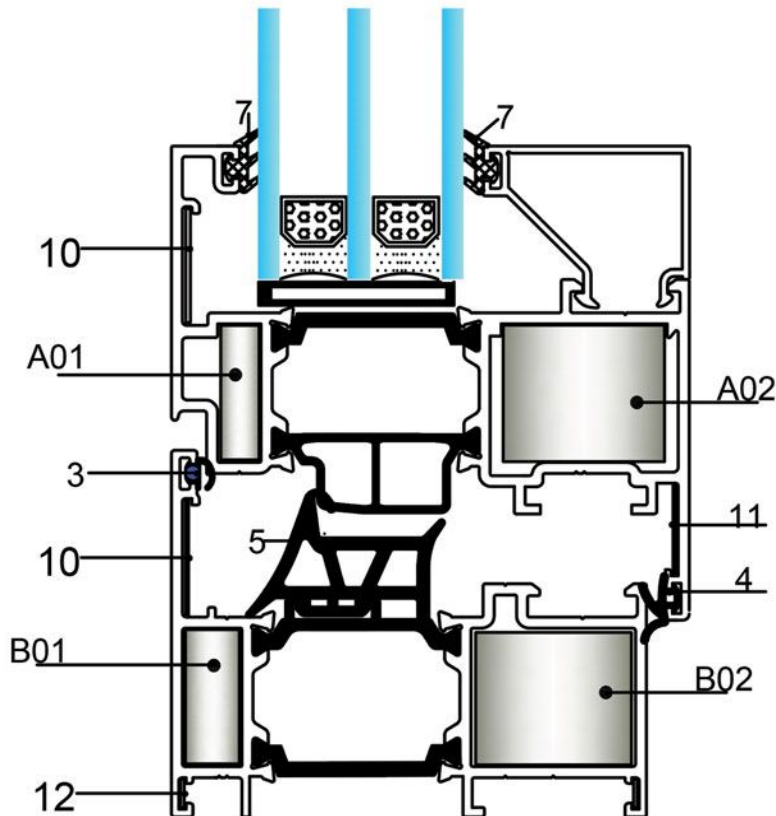
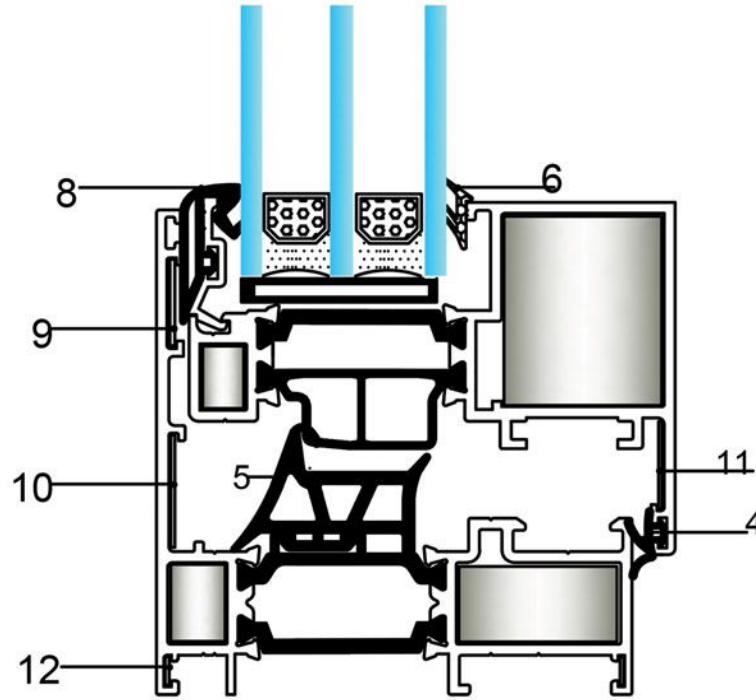
This system is on the website

Hinged Series

TH78 System Accessories
 Hinged Door & Window
 Hidden vent Hinged Window
 Uf: 1.83w/m2k

Thermal Break

New



Hinged Group

Sliding Group

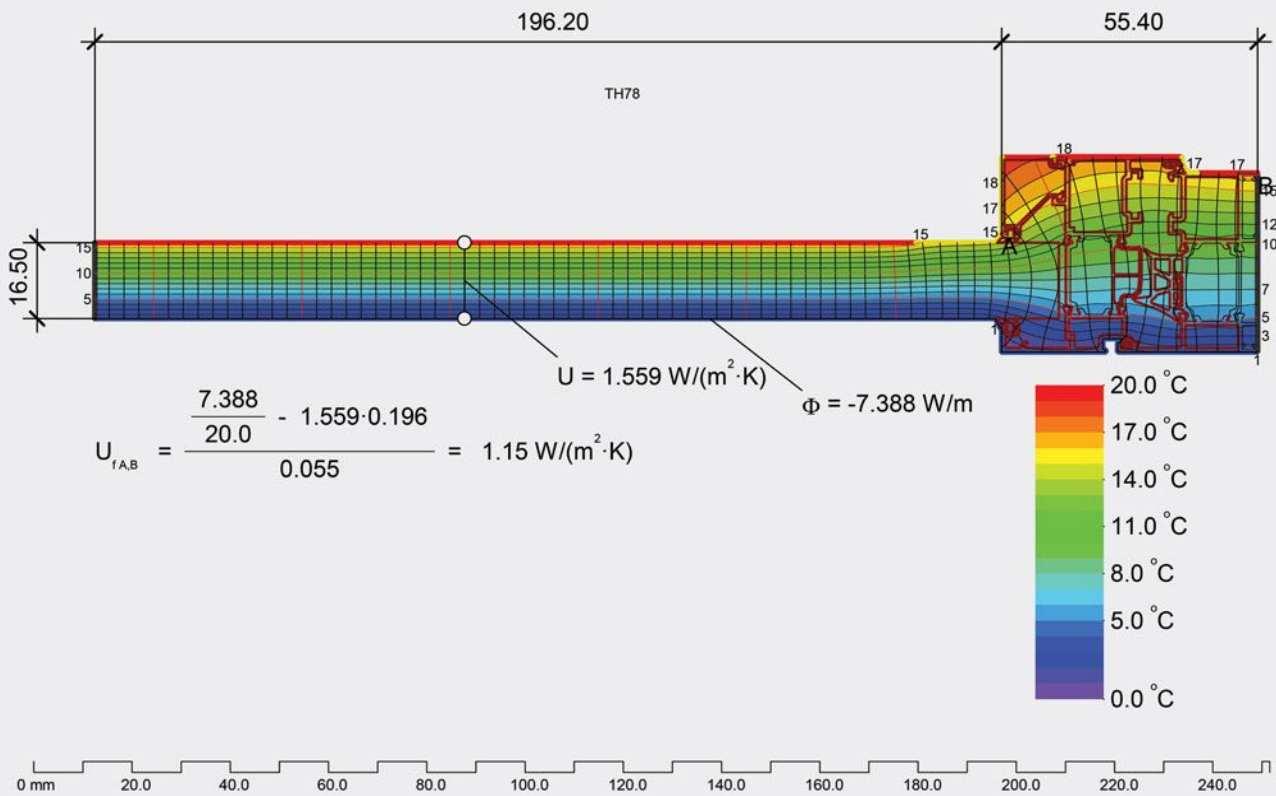
Additional

Curtain Wall

TH78

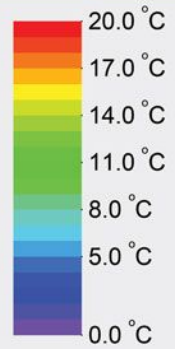
Hinged Door & Window

Hidden vent Hinged Window



$$U_{f,AB} = \frac{\frac{7.388}{20.0} - 1.559 \cdot 0.196}{0.055} = 1.15 \text{ W}/(\text{m}^2 \cdot \text{K})$$

$U = 1.559 \text{ W}/(\text{m}^2 \cdot \text{K})$
 $\Phi = -7.388 \text{ W}/\text{m}$

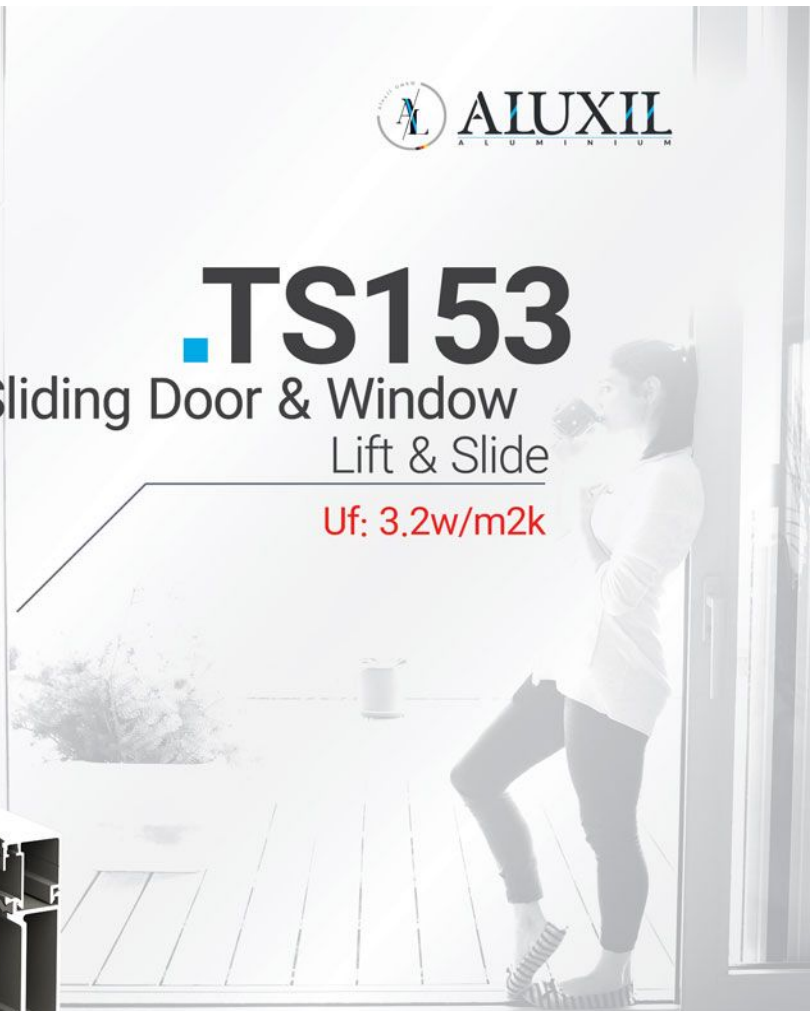
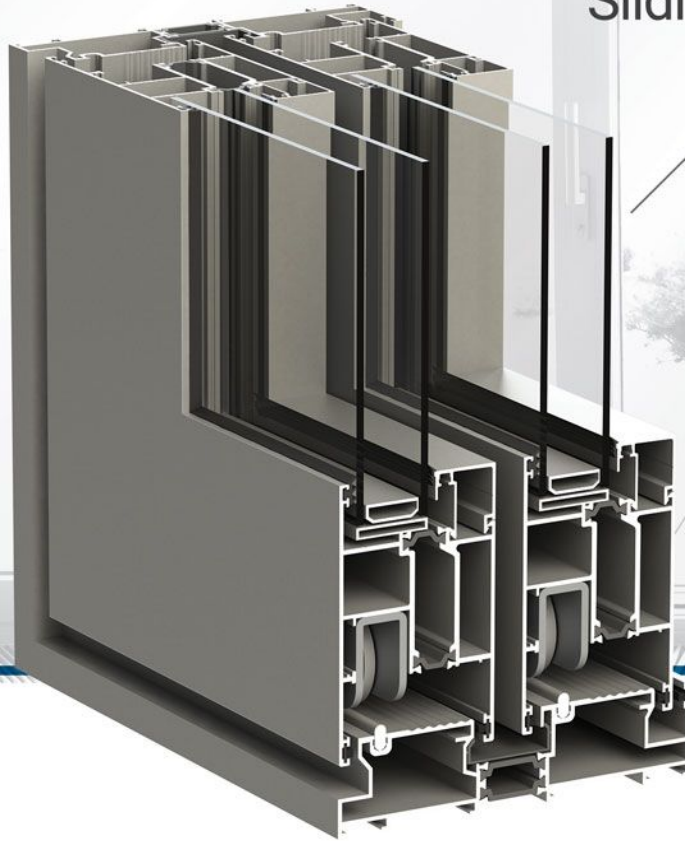


Material	λ [W/(m·K)]	ϵ	Boundary Condition	q [W/m ²]	θ [°C]	R [(m ² ·K)/W]	ϵ
6063-T4	0.027	0.900	n 0.9				0.900
EPDM (ethylene propylene diene monomer)	0.250	0.900	r, frame	0.000	0.040		
Elastomeric foam, flexible	0.050	0.900	r, frame, normal	20.000	0.130		
Panel	0.035	0.900	r, frame, reduced	20.000	0.200		
Polyamid 6.6 with 25% glass fibre	0.300	0.900	etry/Model section	0.000			
Unventilated air cavity *							

* EN ISO 10077-2:2017, 6.4.3/anisotrop

TS153

Sliding Door & Window
Lift & Slide
Uf: 3.2w/m2k



Thermal Break

New

TS153

Sliding Door & Window
Lift & Slide

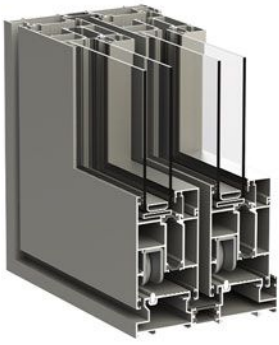
System Specification

Possibility to install **European fittings** Lift and slide 300-400 kg **EPDM** identification and sealing gaskets

Product code:	TS153
Frame width:	168 mm
Sash width:	70 mm
Wall thickness:	2 - 2.2 mm
Polyamide size:	18 - 24 - 38 mm
Thermal conductivity:	Uf: 3.2w/m2k
Appearance:	Flat and smooth from the outside and inside
Type of corner fixture:	Riveted
Thickness of glass:	28 to 52 mm



lift and slide with normal opening



Lift & Slide Series

TS153 System Accessories
Sliding Door & Window
Uf: 3.2w/m2k

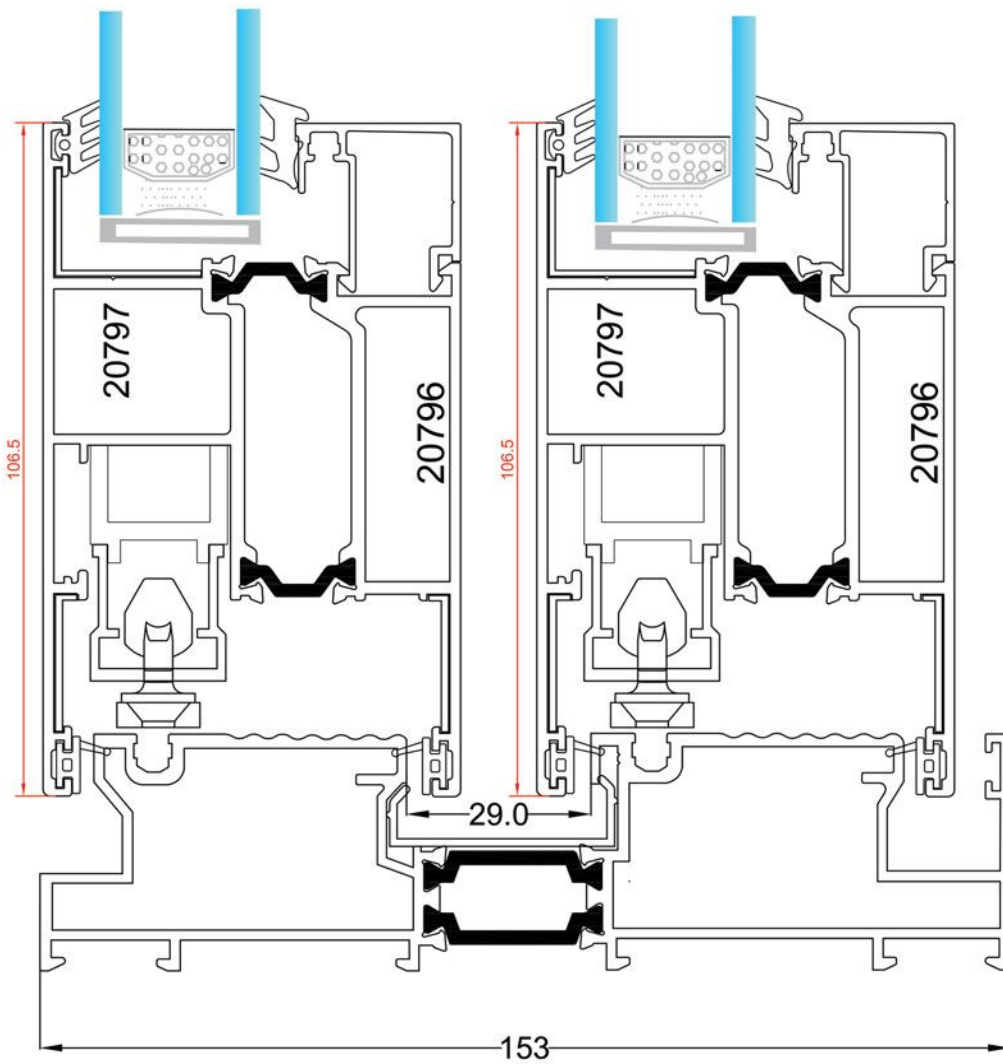
Thermal Break

New

Please scan



This system is
on the website



Hinged Group

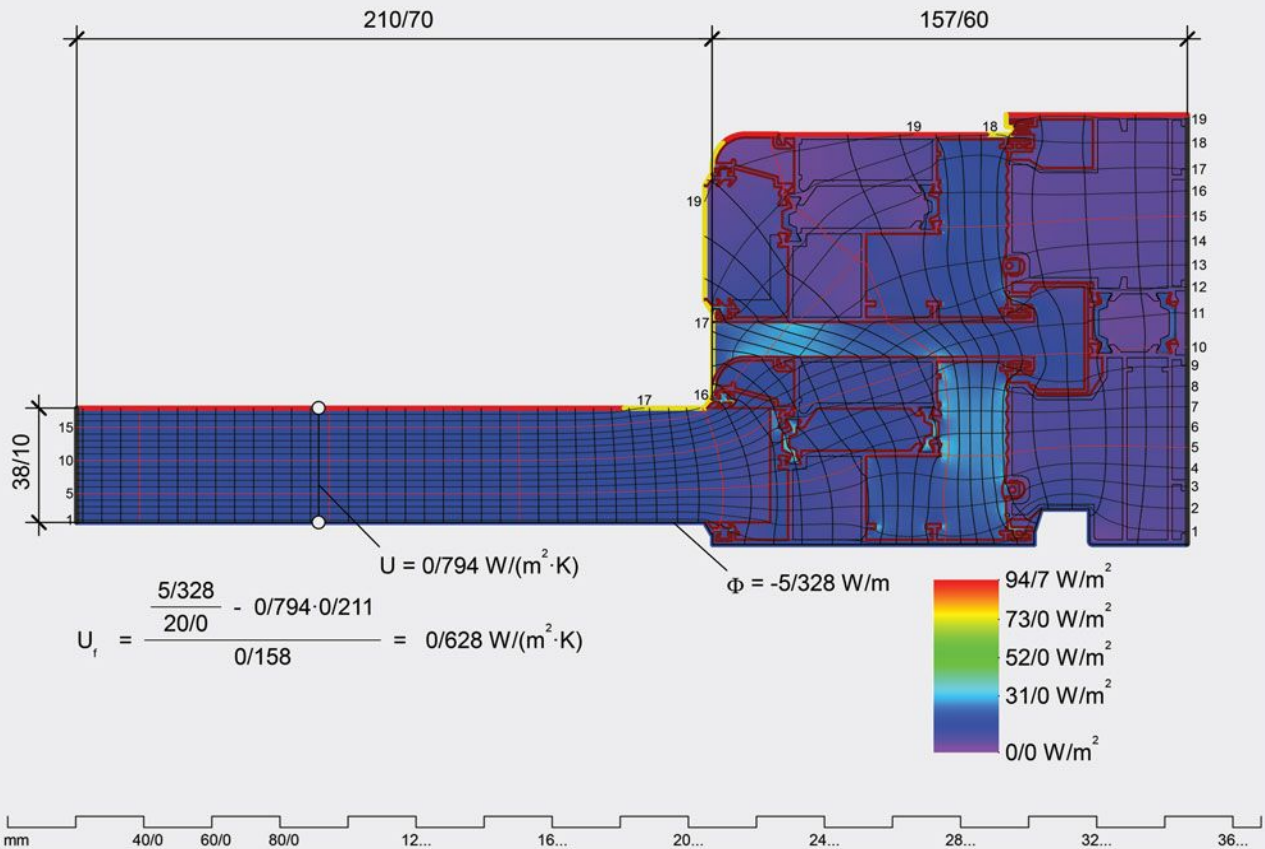
Sliding Group

Additional

Curtain Wall

TS153

Sliding Door & Window Lift & Slide



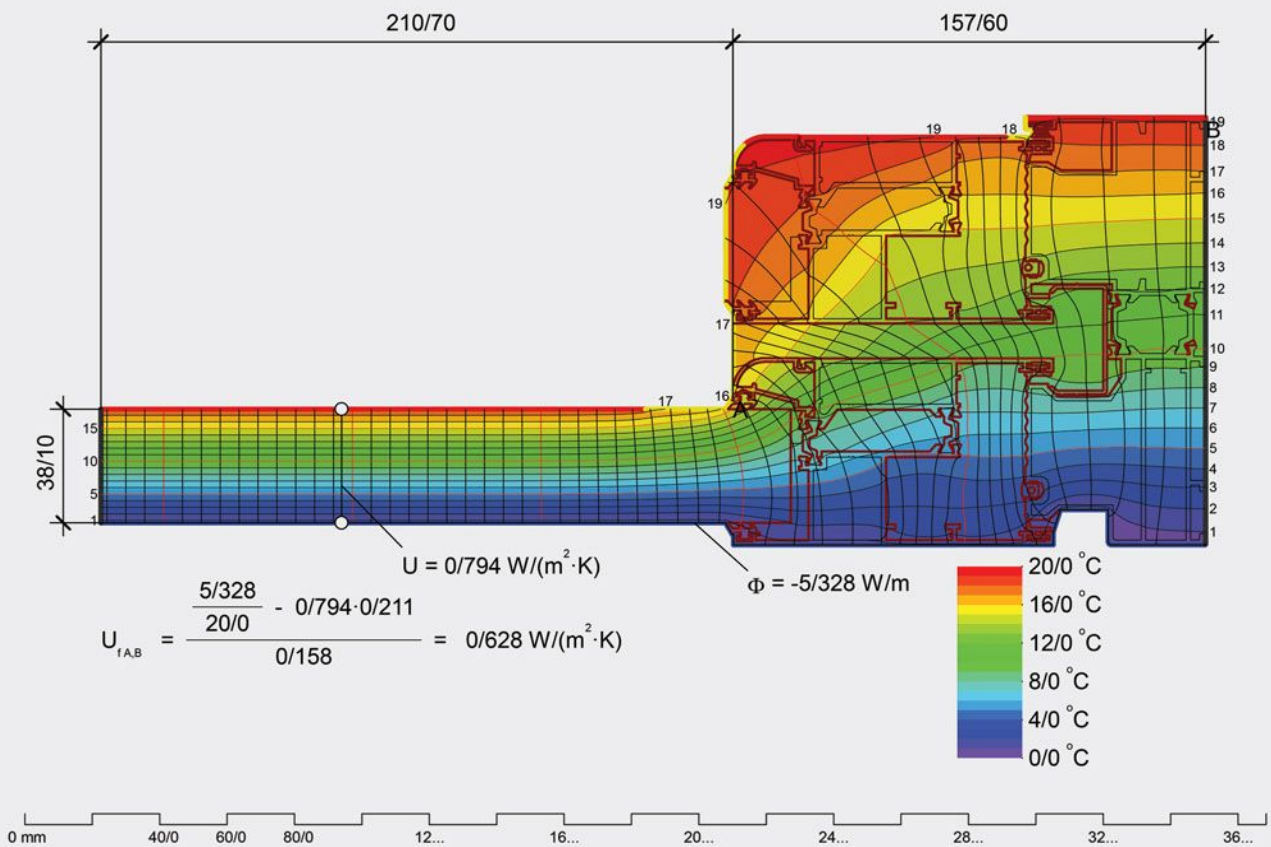
$$U_i = \frac{\frac{5/328}{20/0} - 0/794 \cdot 0/211}{0/158} = 0/628 \text{ W/(m}^2 \cdot \text{K)}$$

Material	λ [W/(m·K)]	ϵ	Boundary Condition	q [W/m ²]	θ [°C]	R [(m ² ·K)/W]	ϵ
6063-t4	0/027	0/900	n 0.9				0/900
EPDM (ethylene propylene diene monomer)	0/250	0/900	r, frame	0/000		0/040	
Elastomeric foam, flexible	0/050	0/900	r, frame, normal	20/000		0/130	
Panel	0/035	0/900	r, frame, reduced	20/000		0/200	
Polyamid 6.6 with 25% glass fibre	0/300	0/900	etry/Model section	0/000			
Slightly ventilated air cavity *							
Unventilated air cavity *							

* EN ISO 10077-2:2017, 6.4.3/anisotrop

TS153

Sliding Door & Window Lift & Slide



Material	λ [W/(m·K)]	ϵ	Boundary Condition	q [W/m ²]	θ [°C]	R [(m ² ·K)/W]	ϵ
6063-t4	0/027	0/900	n 0.9				0/900
EPDM (ethylene propylene diene monomer)	0/250	0/900	r, frame	0/000		0/040	
Elastomeric foam, flexible	0/050	0/900	r, frame, normal	20/000		0/130	
Panel	0/035	0/900	r, frame, reduced	20/000		0/200	
Polyamid 6.6 with 25% glass fibre	0/300	0/900	etry/Model section	0/000			
Slightly ventilated air cavity *							
Unventilated air cavity *							

* EN ISO 10077-2:2017, 6.4.3/anisotrop



Folding Door System

110kg

Folding Door Systems

System Specification

EPDM identification and sealing gaskets

Frame width:	50 mm
Sash width:	50 mm
Wall thickness:	2.5 - 1.5 mm
Polyamide size:	18 mm
Appearance:	Flat and smooth from the outside and inside
Thickness of glass:	6 to 32 mm
Type of corner fixture:	Riveted
Specifications:	Hidden accordion fitting



accordion 100 kg in Lengeh

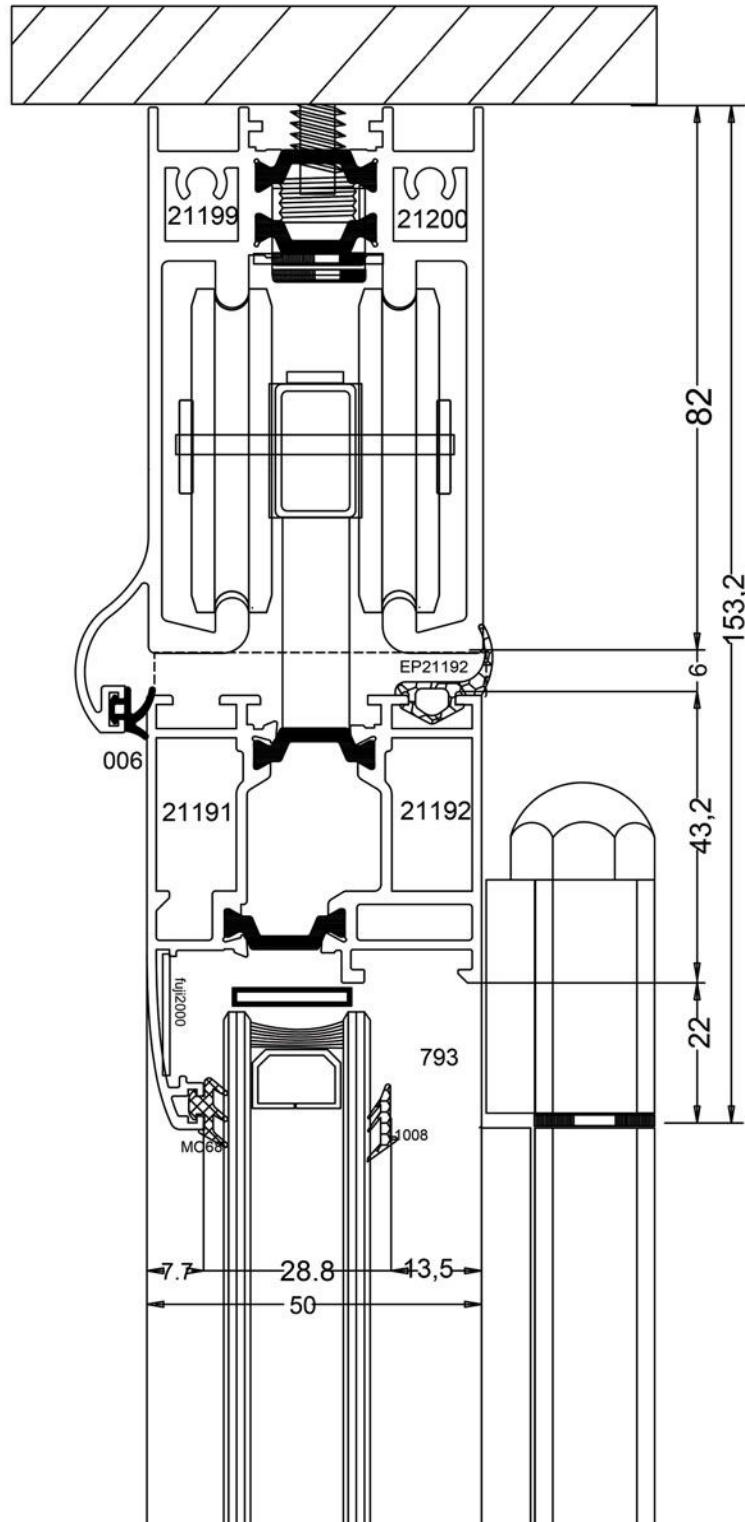
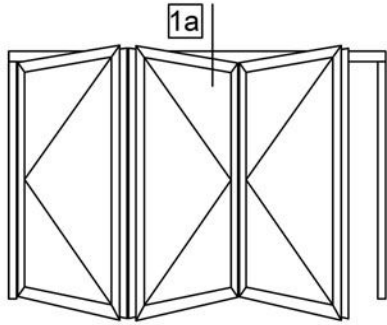


Additional Series
Folding Door System
 System Accessories

Please scan



This system is on the website



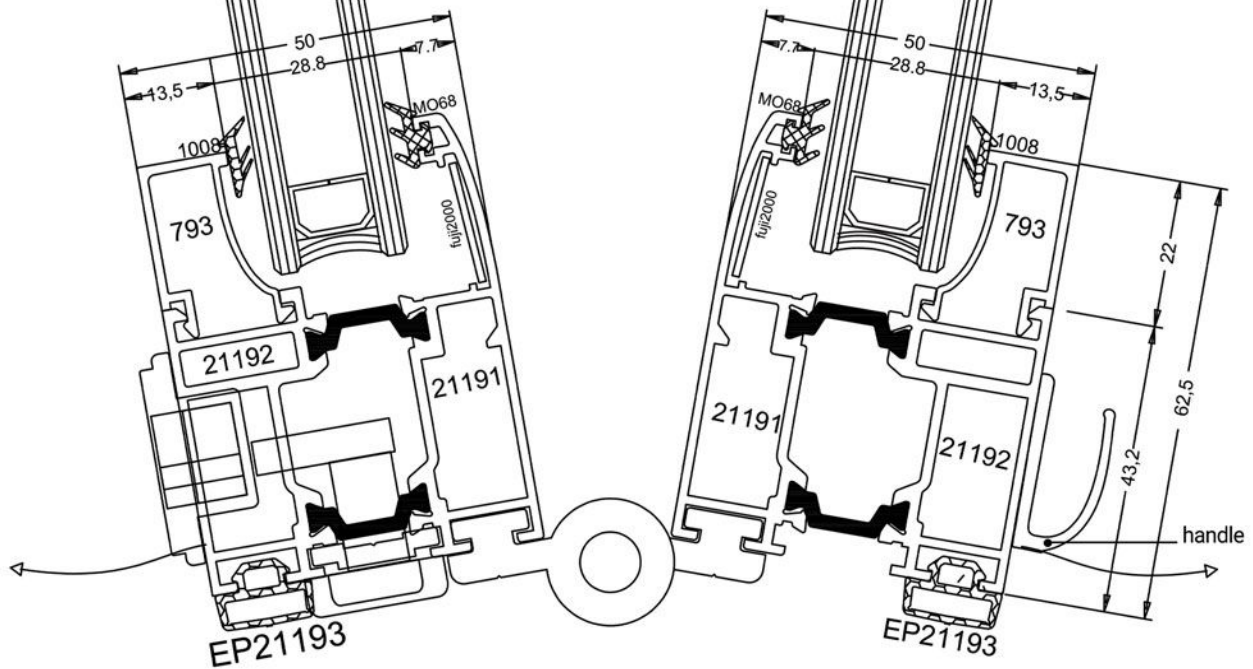
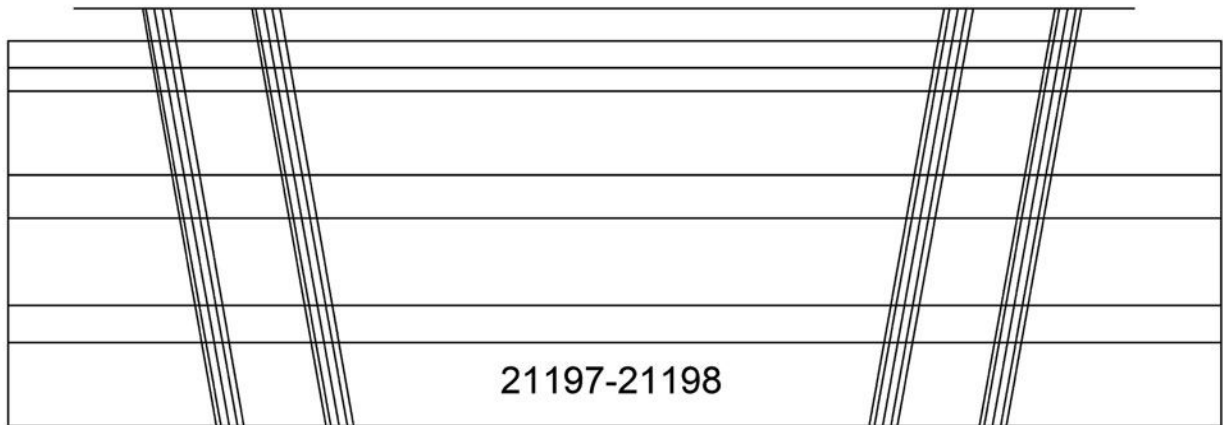
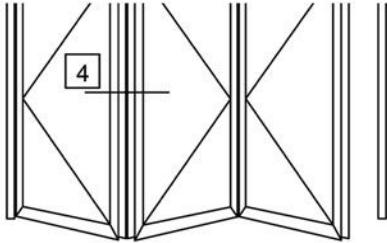
- Hinged Group
- Sliding Group
- Additional
- Curtain Wall

Please scan



This system is on the website

Additional Series
Folding Door System
 System Accessories



Hinged Group

Sliding Group

Additional

Curtain Wall



Additional Series
Folding Door System
System Accessories

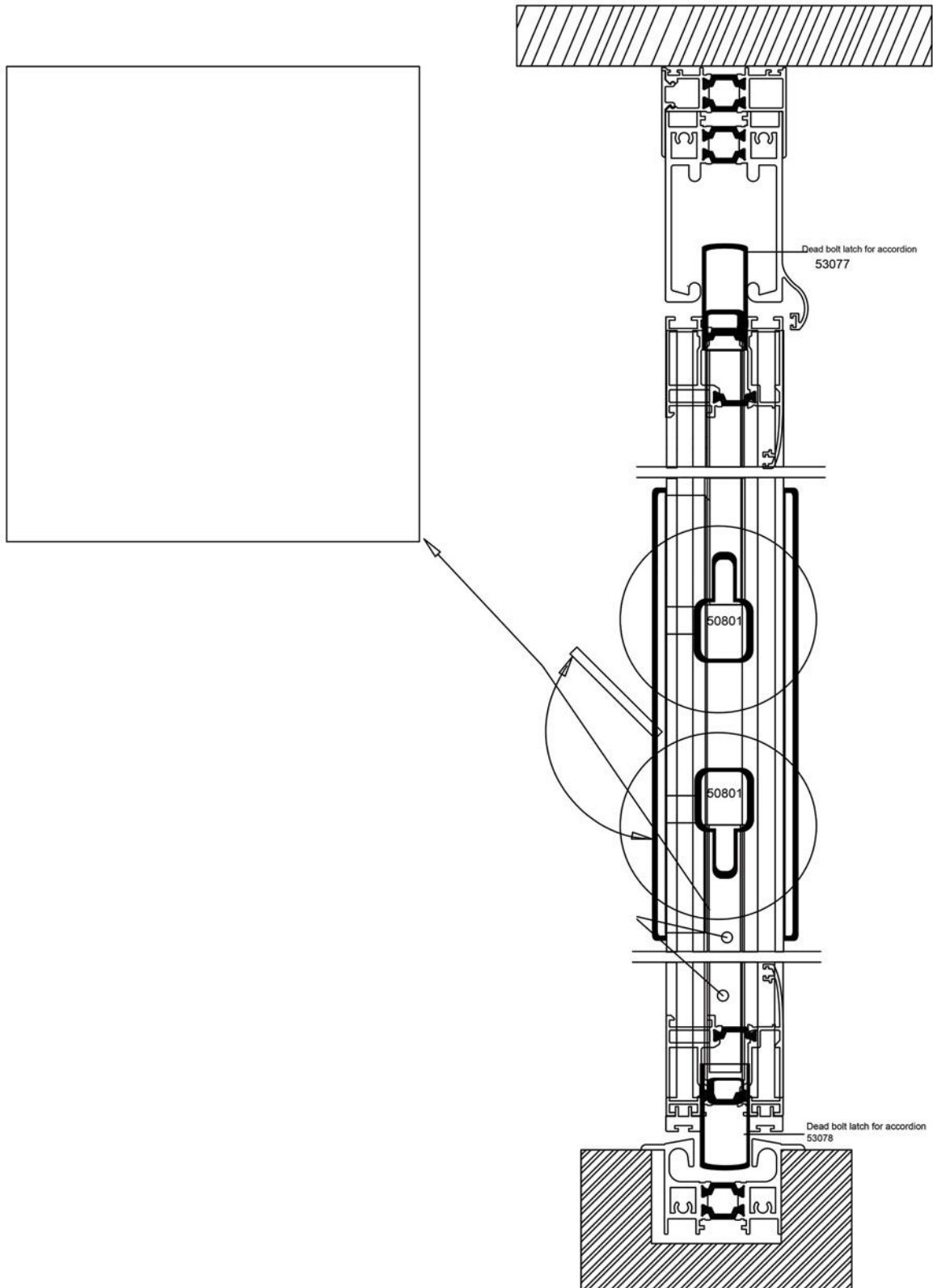
Please scan



This system is
on the website



ALUXIL
ALUMINIUM



Hinged Group

Sliding Group

Additional

Curtain Wall

Please scan

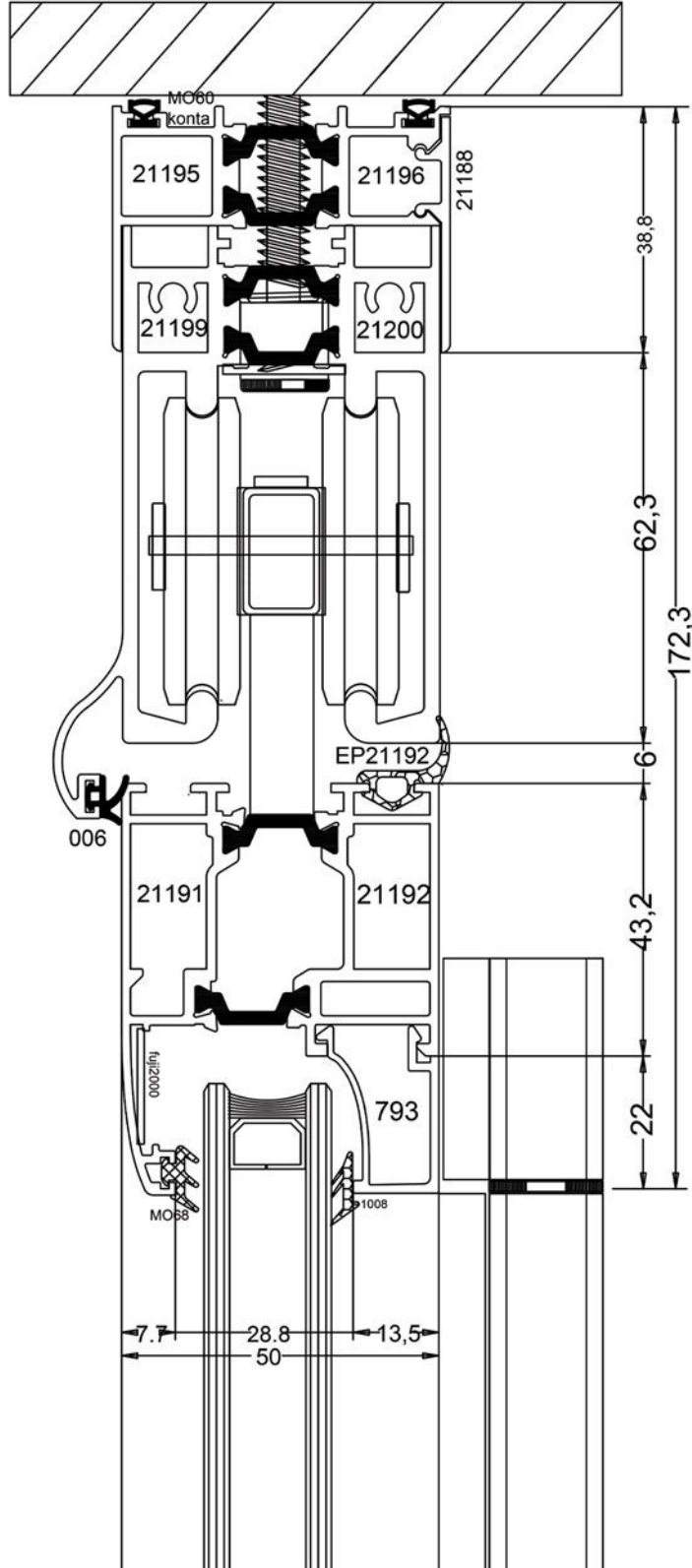
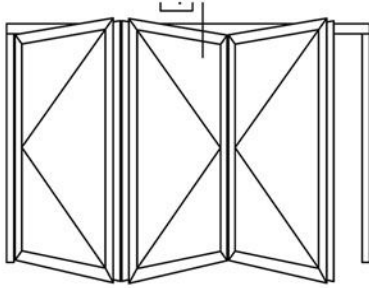


This system is on the website

Additional Series

Folding Door System

System Accessories



Hinged Group

Sliding Group

Additional

Curtain Wall

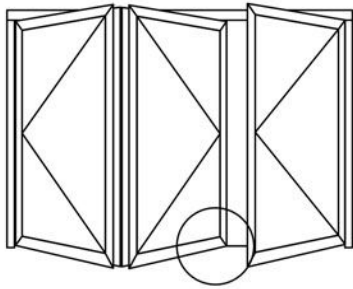


Additional Series
Folding Door System
System Accessories

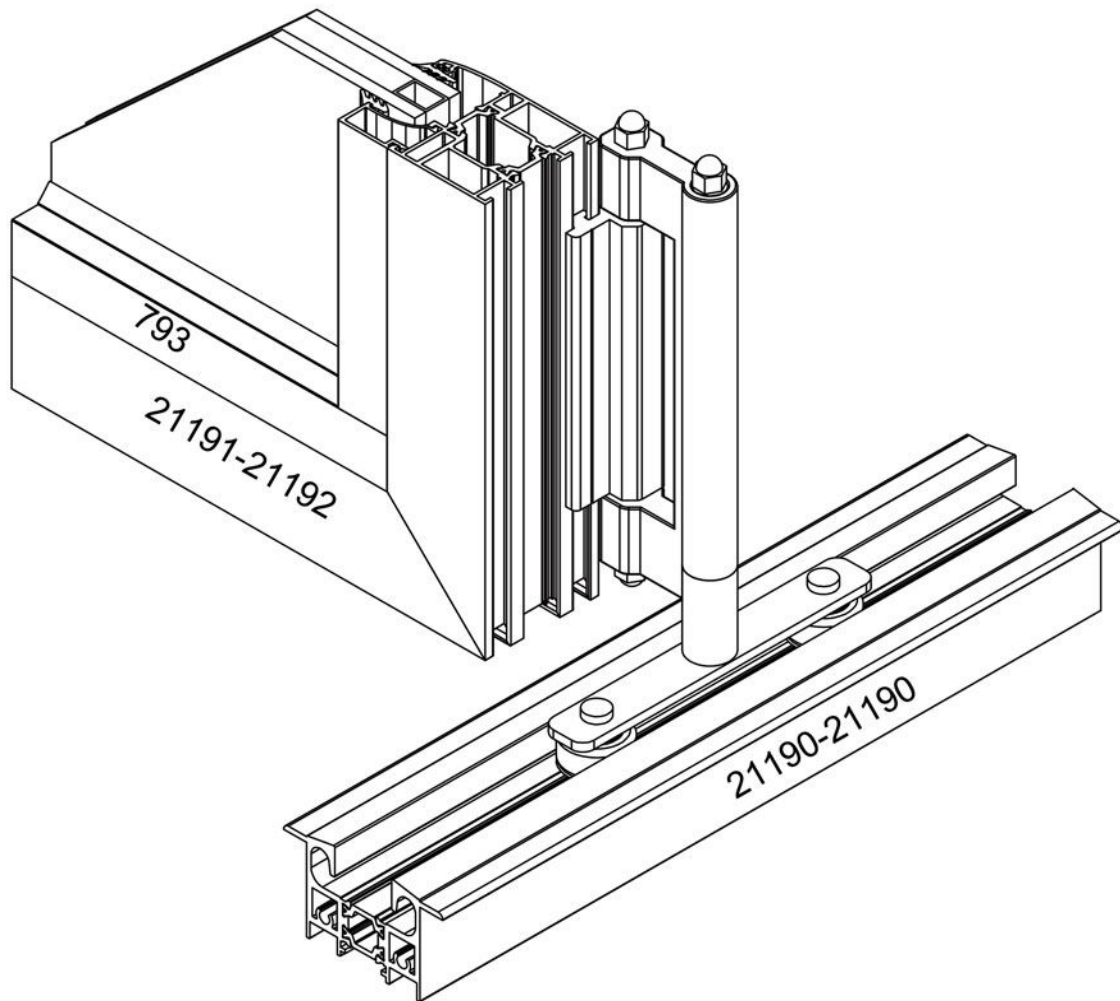
Please scan



This system is
on the website



detail



Hinged Group

Sliding Group

Additional

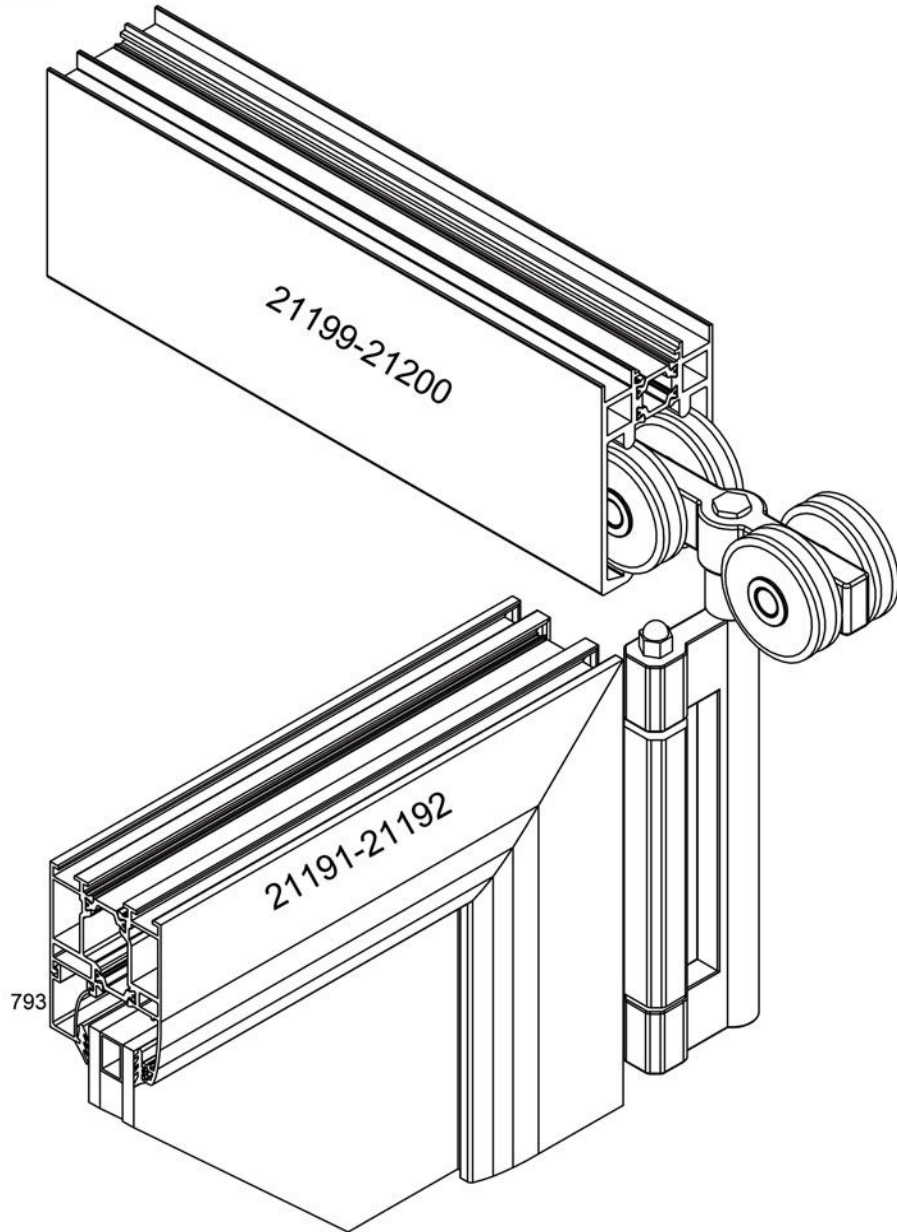
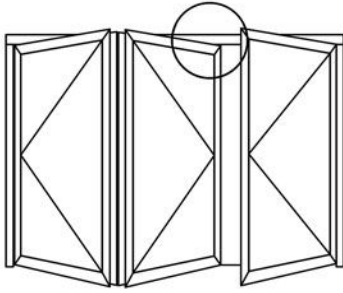
Curtain Wall

Please scan



This system is on the website

Additional Series
Folding Door System
 System Accessories



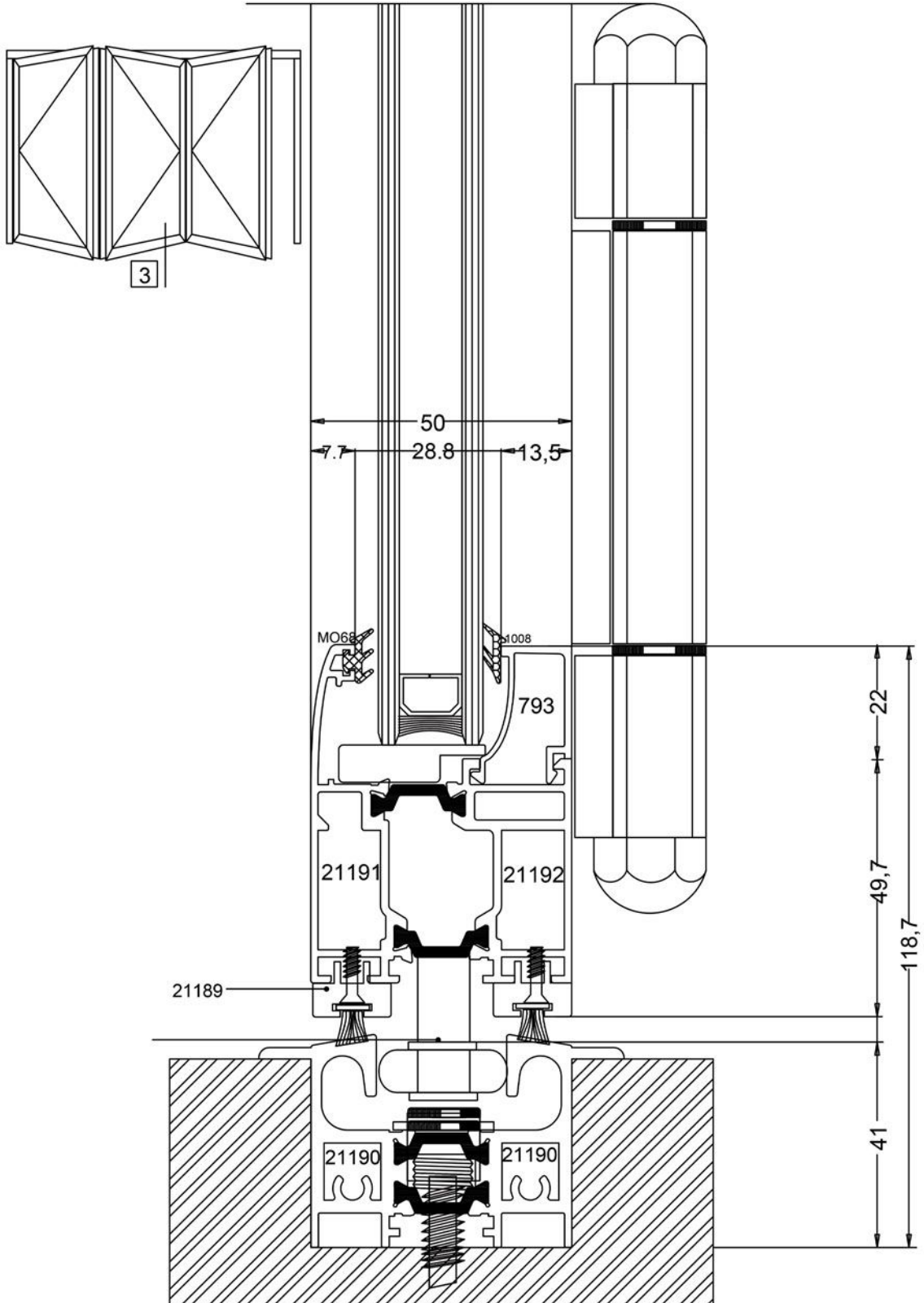


Additional Series
Folding Door System
 System Accessories

Please scan



This system is on the website



- Hinged Group
- Sliding Group
- Additional
- Curtain Wall

Please scan

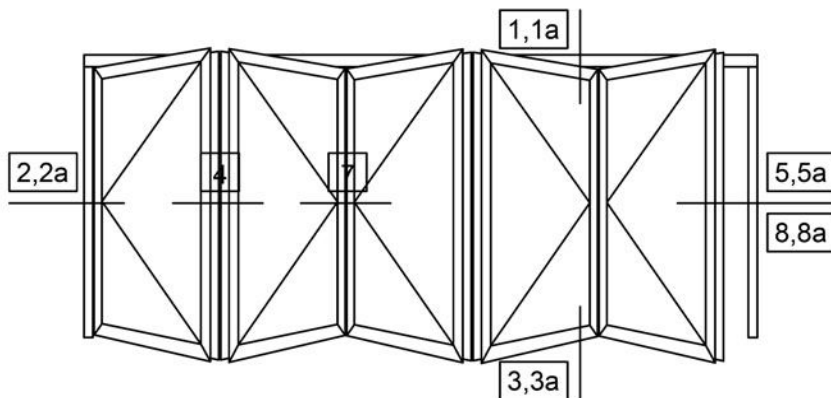
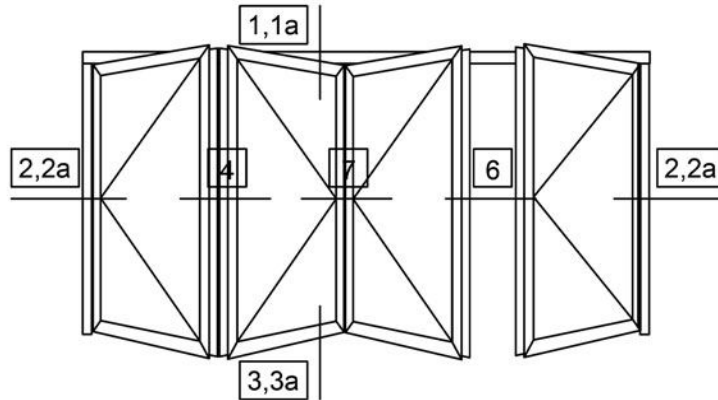
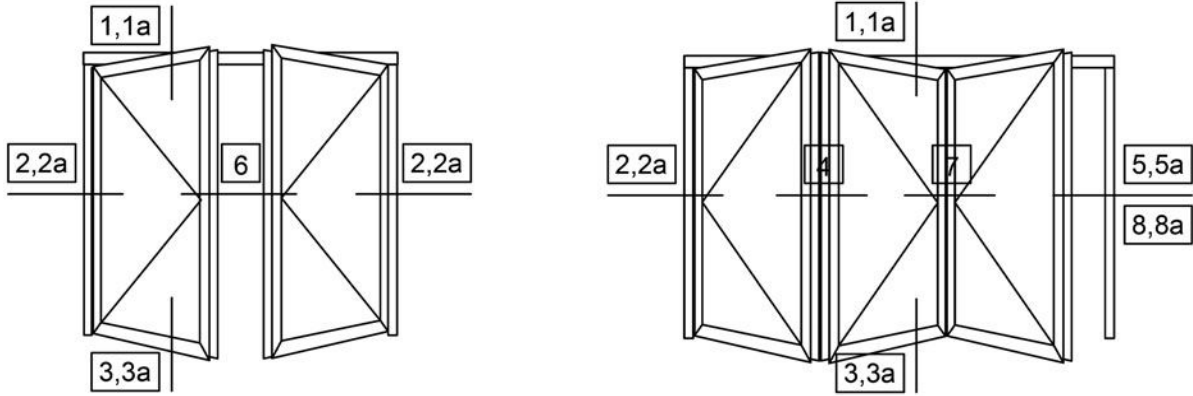


This system is on the website

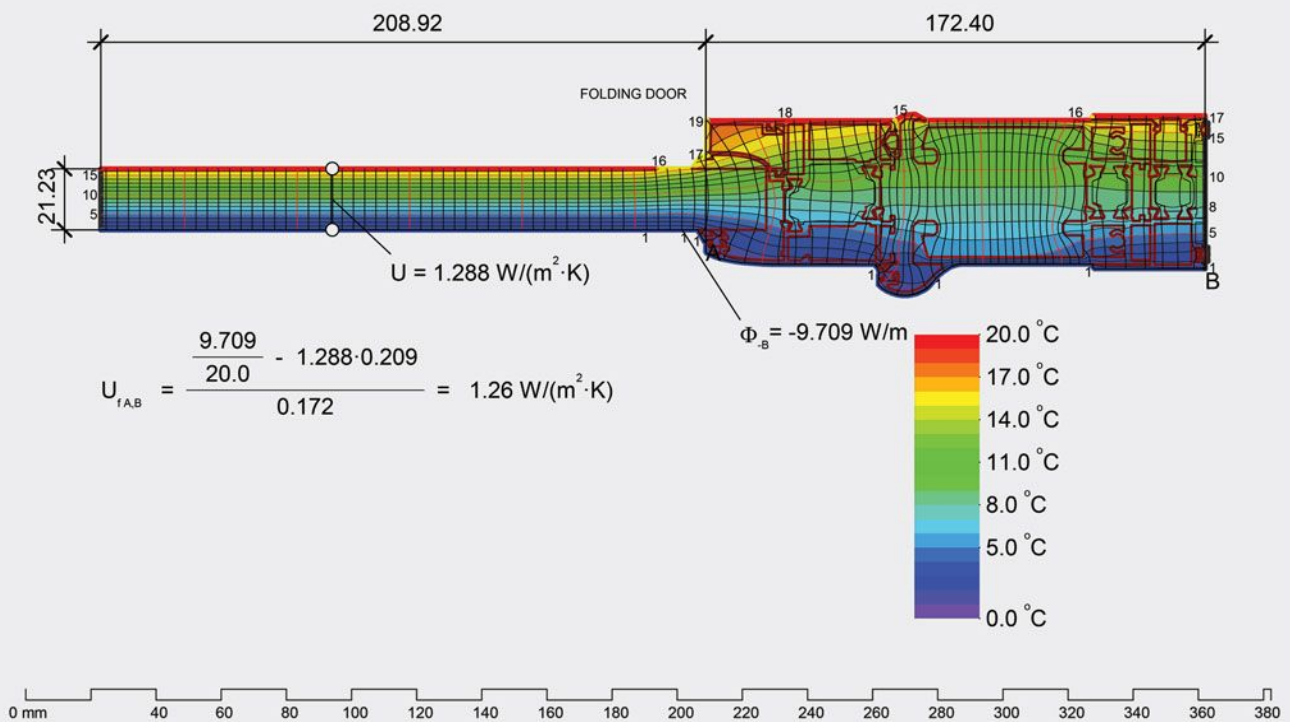
Additional Series

Folding Door System

System Accessories



Folding Door System



Material	λ [W/(m·K)]	ϵ	Boundary Condition	q [W/m ²]	θ [°C]	R [(m ² ·K)/W]	ϵ
6063-T4	0.027	0.900	n 0.9				0.900
EPDM (ethylene propylene diene monomer)	0.250	0.900	or, frame	0.000		0.040	
Elastomeric foam, flexible	0.050	0.900	r, frame, normal	20.000		0.130	
Panel	0.035	0.900	r, frame, reduced	20.000		0.200	
Polyamid 6.6 with 25% glass fibre	0.300	0.900	etry/Model section	0.000			
Unventilated air cavity *							

* EN ISO 10077-2:2017, 6.4.3/anisotrop



■ Guillotine Window System

Motorized Vertical Sliding System (LUX)

Guillotine Window Systems

System Specification

EPDM identification and sealing gaskets

Frame width:	110 mm
Sash width:	24.5 mm
Wall thickness:	1.5 - 1.8 mm
Thickness of glass:	10 to 20 mm
Appearance:	Flat and smooth from the outside and inside
Type of corner fixture:	Plastic corner



300 X 300 centimeter Standard

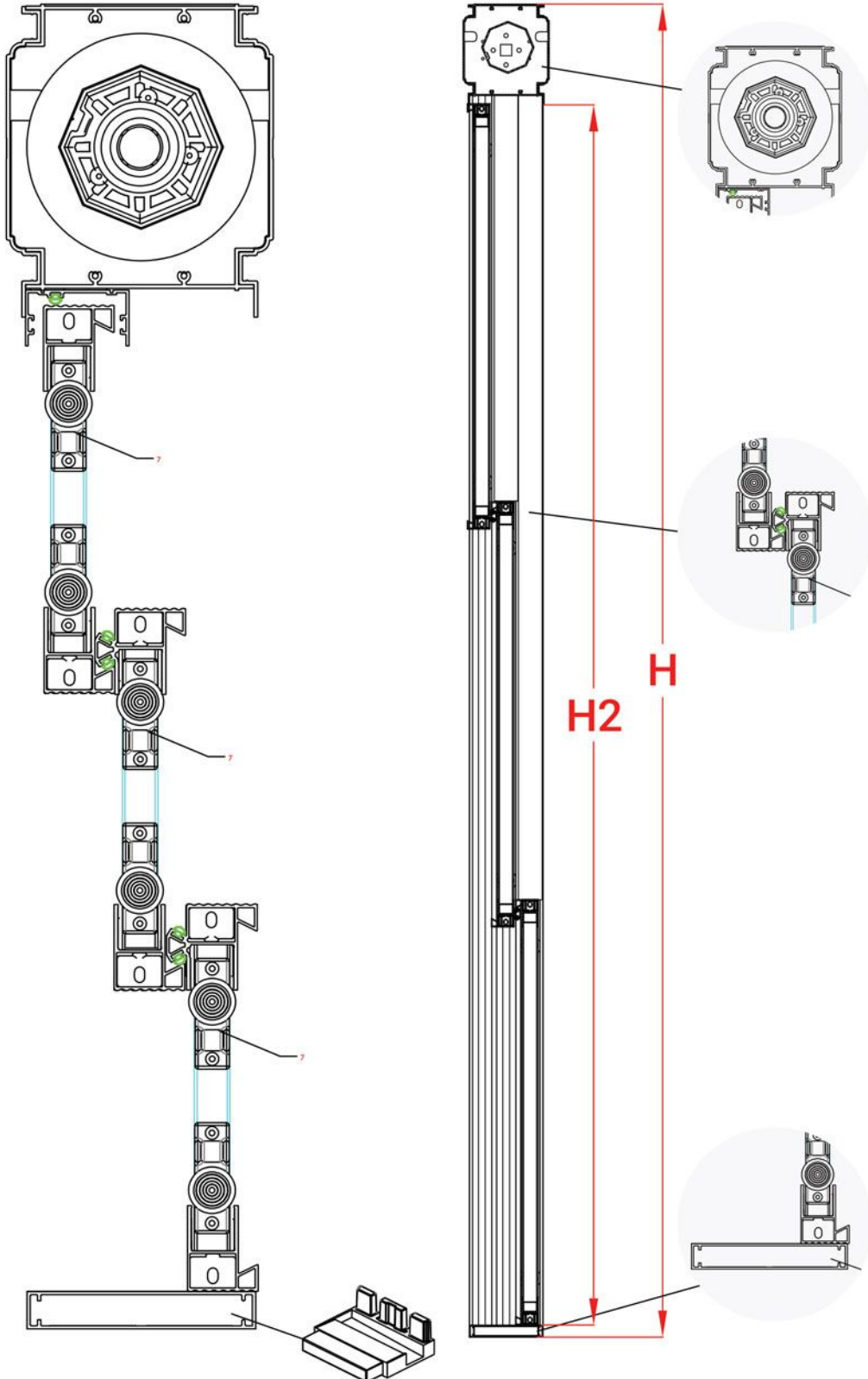


Additional Series
Guillotine Window
Motorized Vertical Sliding System (LUX)
System Accessories

Please scan



This system is
on the website



Hinged Group

Sliding Group

Additional

Curtain Wall

Please scan

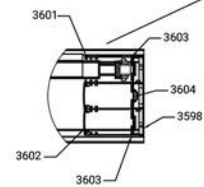
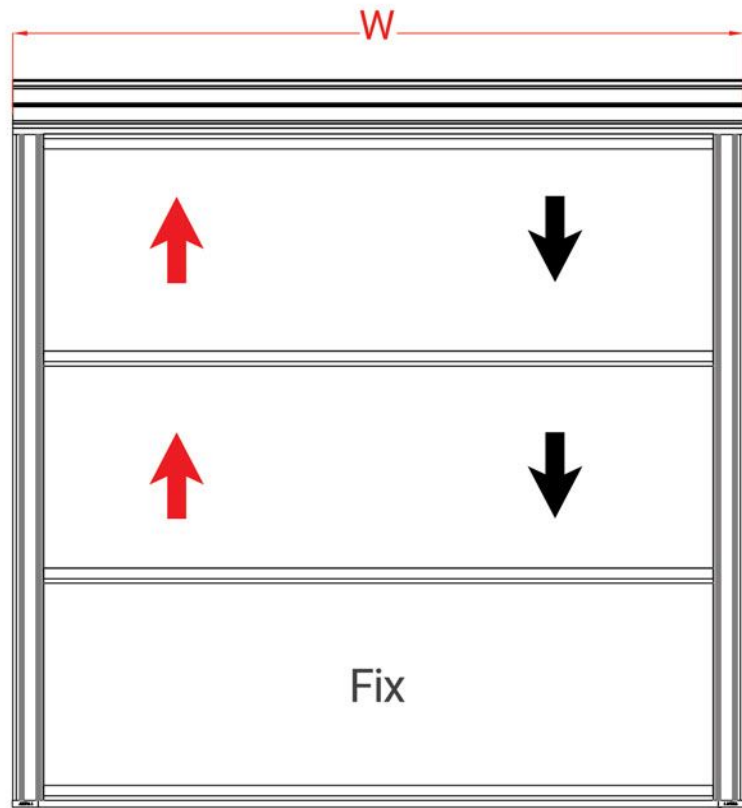
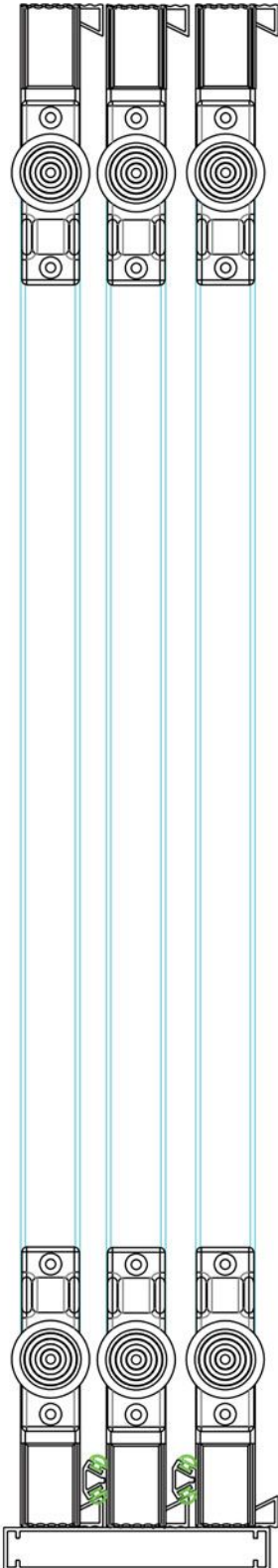


This system is on the website

Additional Series

Guillotine Window

Motorized Vertical Sliding System (LUX)
System Accessories



Hinged Group

Sliding Group

Additional

Curtain Wall

AW110

SKYROOF



New

AW110

SKYROOF

System Specification

✓ Carrier Reinforcement ✓ Gutter Reinforcement

Product code:	AW110
Pole Profile Width:	110 mm
Gutter profile Width:	155.2 mm
Glazing Carrier Profile Width:	60.3*112.2 mm
Profile Wall Thickness:	1.4 - 5 mm
Max. veranda Depth:	4000 mm
Max. Distance Between Pole Profiles:	7000 mm
Max. Veranda Back Height:	2800 mm
Max. Veranda Front Height:	2400 mm

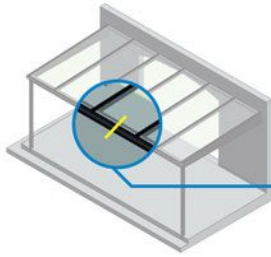
Please scan



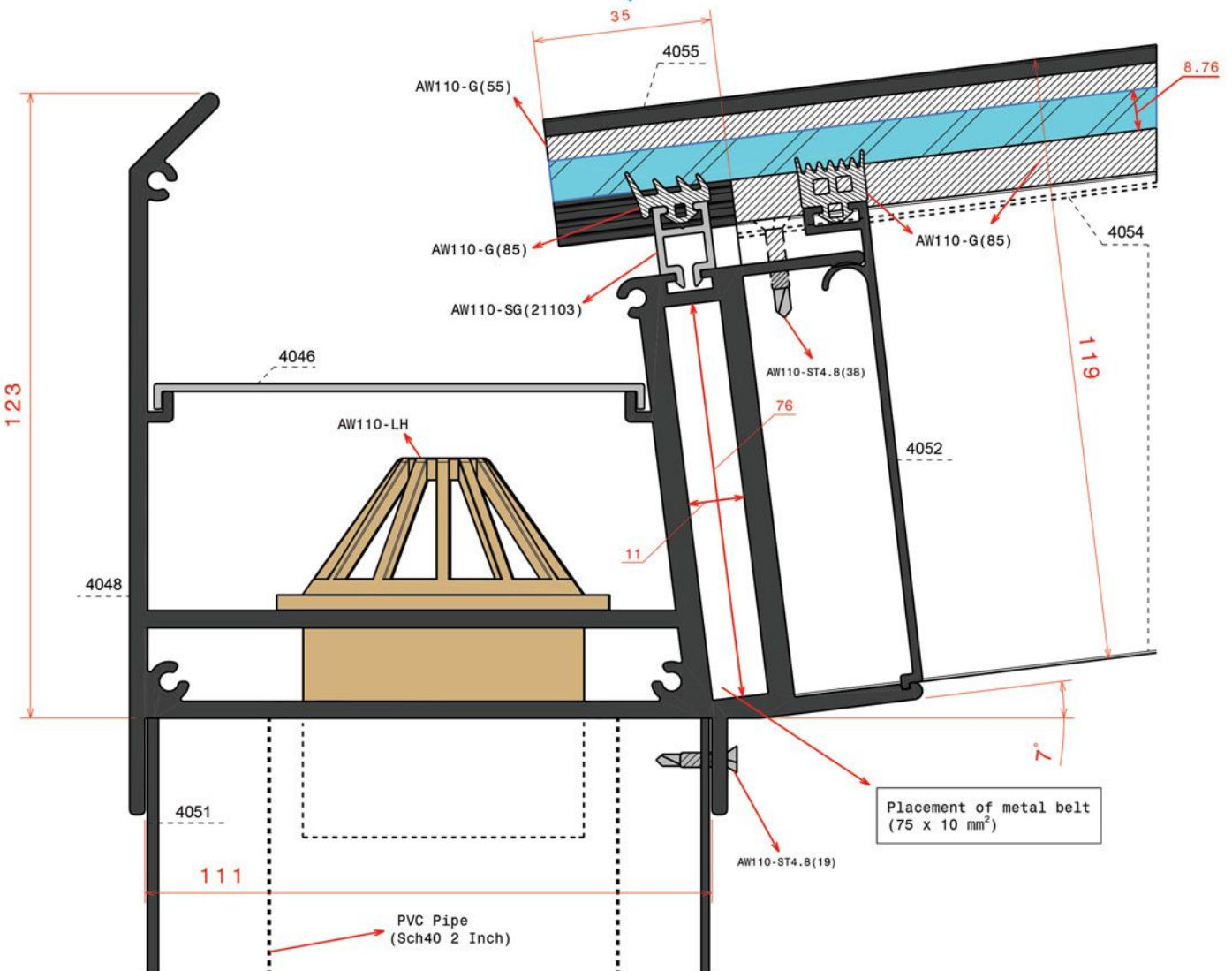
This system is on the website

Additional Series
SKYROOF AW 110

Winter Garden System
 System Accessories



Hinged Group
 Sliding Group
Additional
 Curtain Wall



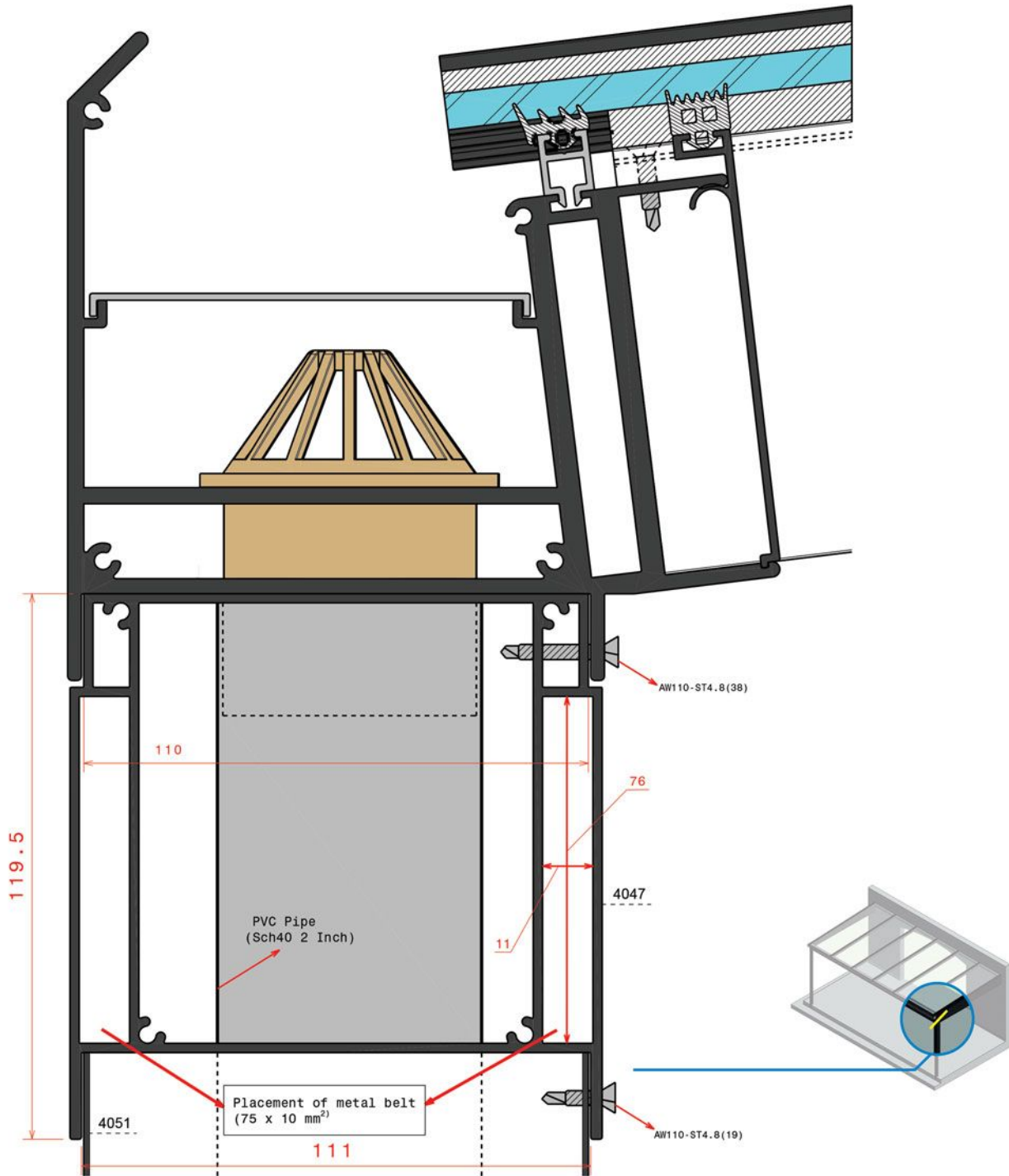


Additional Series
SKYROOF AW 110
 Winter Garden System
 System Accessories

Please scan



This system is
 on the website



Hinged Group

Sliding Group

Additional

Curtain Wall

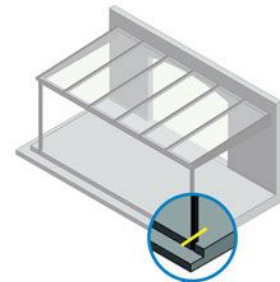
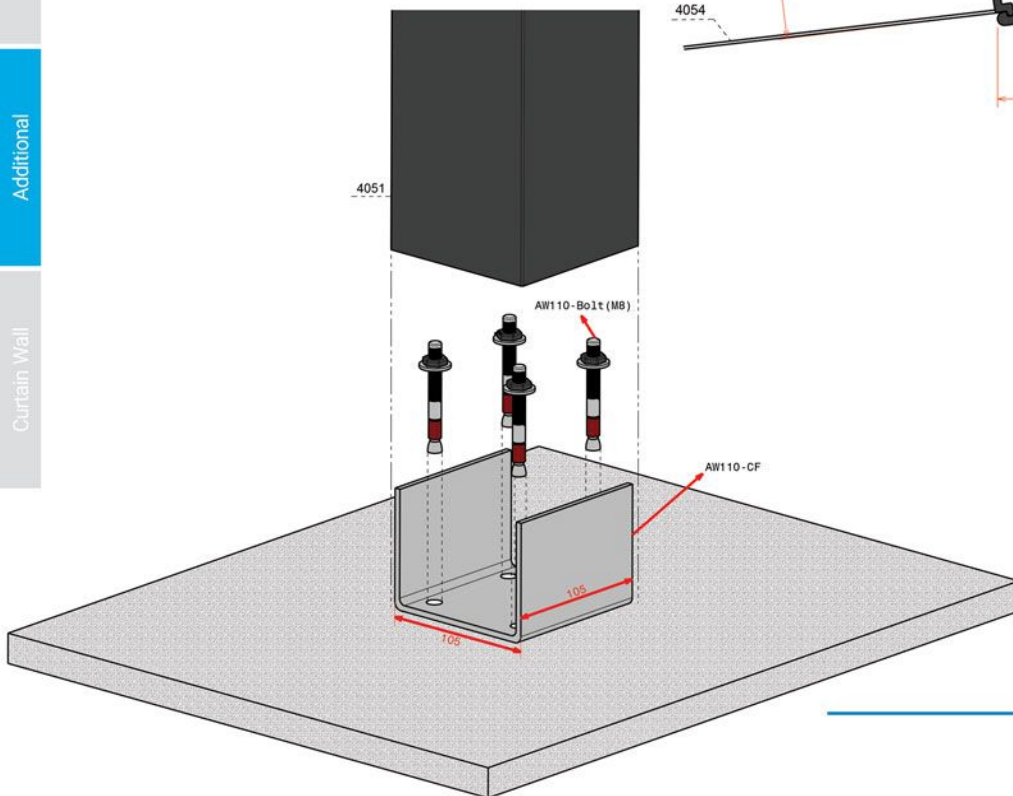
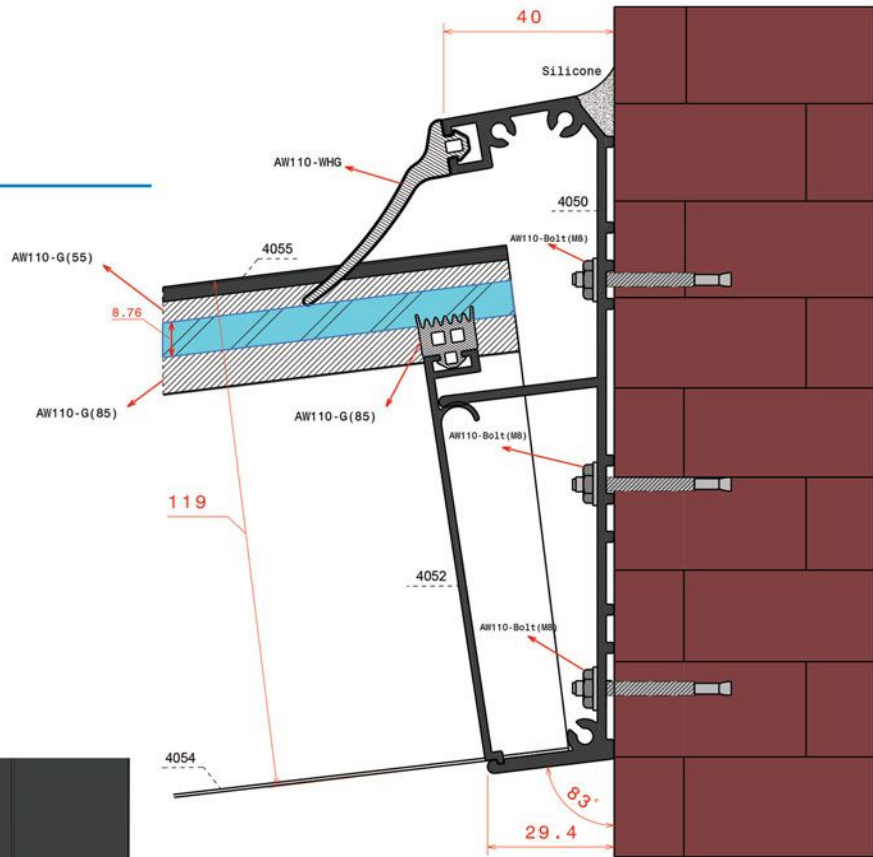
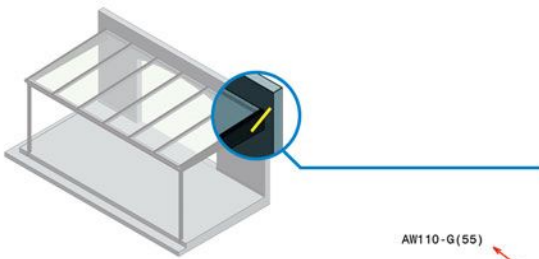
Please scan



This system is on the website

Additional Series
SKYROOF AW 110

Winter Garden System
 System Accessories



Hinged Group

Sliding Group

Additional

Curtain Wall

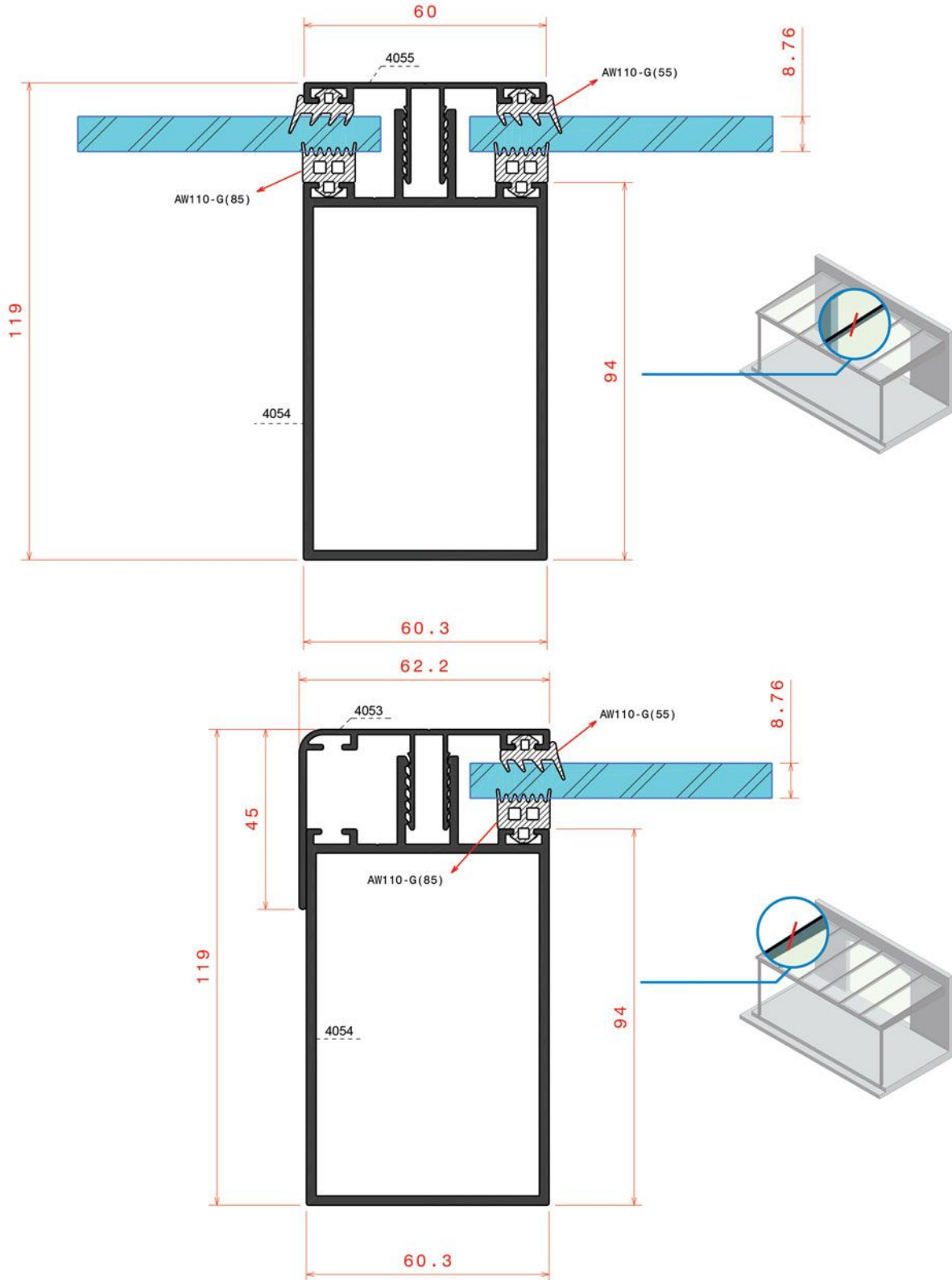


Additional Series
SKYROOF AW 110
 Winter Garden System
 System Accessories

Please scan



This system is
on the website



Hinged Group

Sliding Group

Additional

Curtain Wall



■ Glass Handrail System

Glass Handrail Systems

System Specification

EPDM identification and sealing gaskets

Frame width:	110 mm
Sash width:	24.5 mm
Wall thickness:	1.5 - 1.8 mm
Thickness of glass:	10 to 20 mm
Appearance:	Flat and smooth from the outside and inside
Type of corner fixture:	Plastic corner

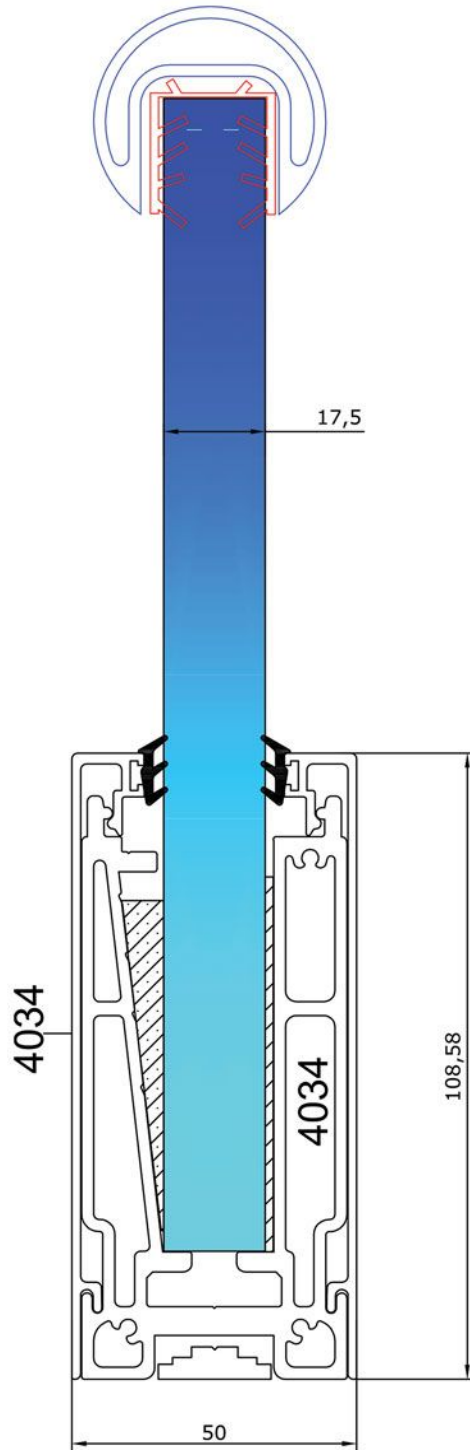


Additional Series
Glass Handrail
System Accessories

Please scan



This system is
on the website



Hinged Group

Sliding Group

Additional

Curtain Wall

Please scan

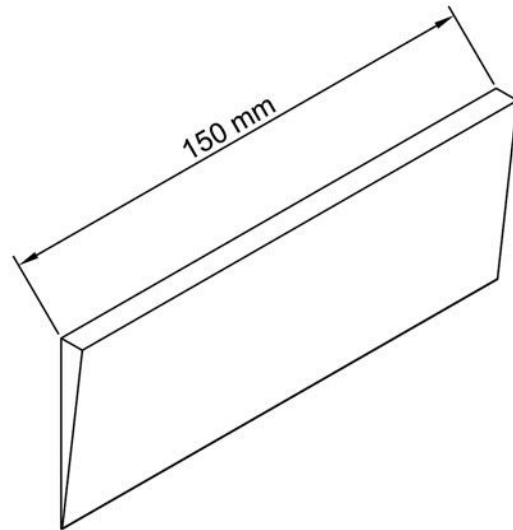
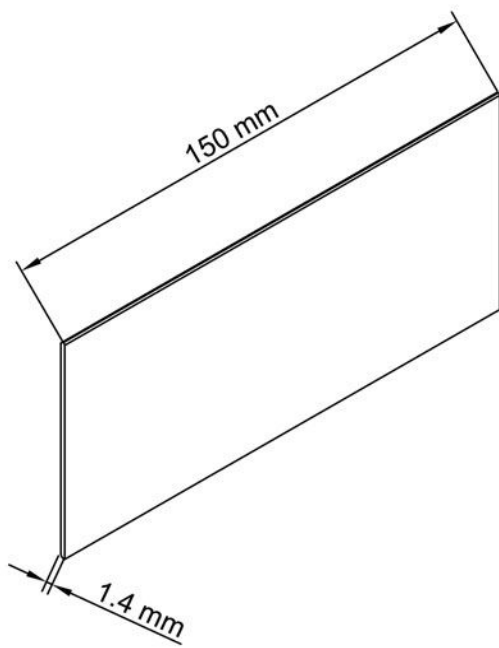
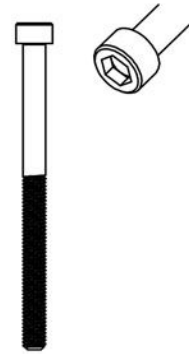
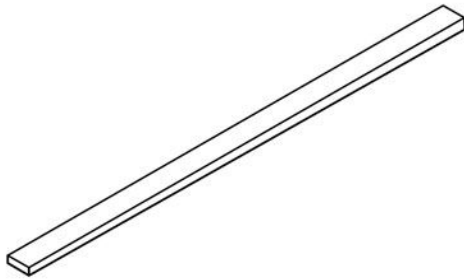


This system is on the website

Additional Series

Glass Handrail

System Accessories



Hinged Group

Sliding Group

Additional

Curtain Wall

Caped

Curtain Wall System

Uf: 4.60 w/m2k

Caped

Curtain Wall System

System Specification

EPDM identification and sealing gaskets

Maximum height of Mullion:	180 mm
Minimum height of Mullion:	50 mm
Maximum height of Transom:	162 mm
Minimum height of Transom:	35 mm
Width of Mullion and Transom:	50 & 51 mm
Wall thickness:	1.5 - 2.5 mm
Glass thickness:	6 to 50 mm
Thermal Conductivity:	Uf: 4.60 w/m2k

Type OF opening

Turn

Tilt and Turn

French

parallel

friction

Please scan



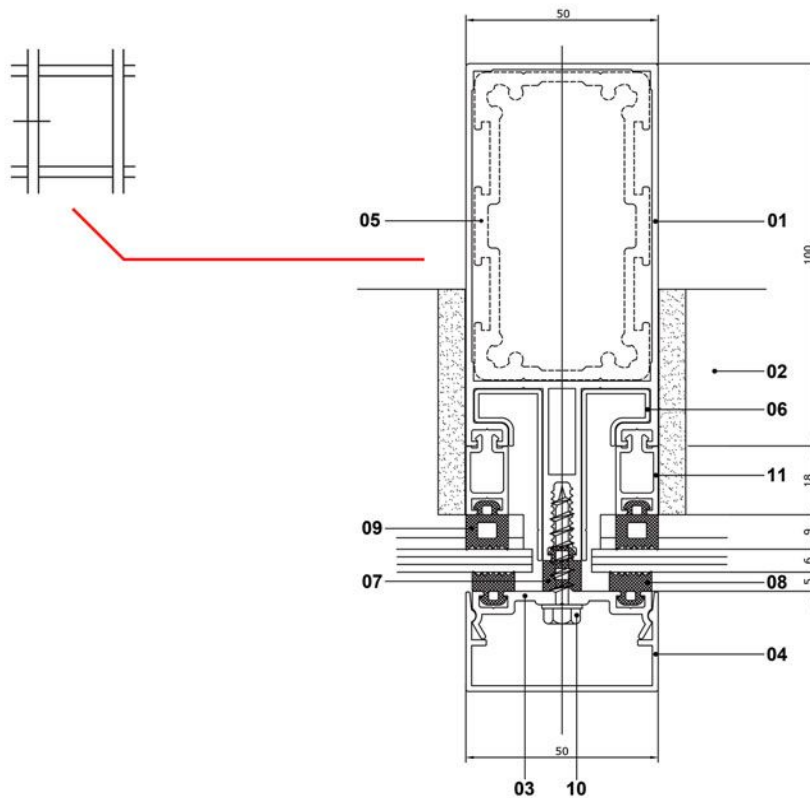
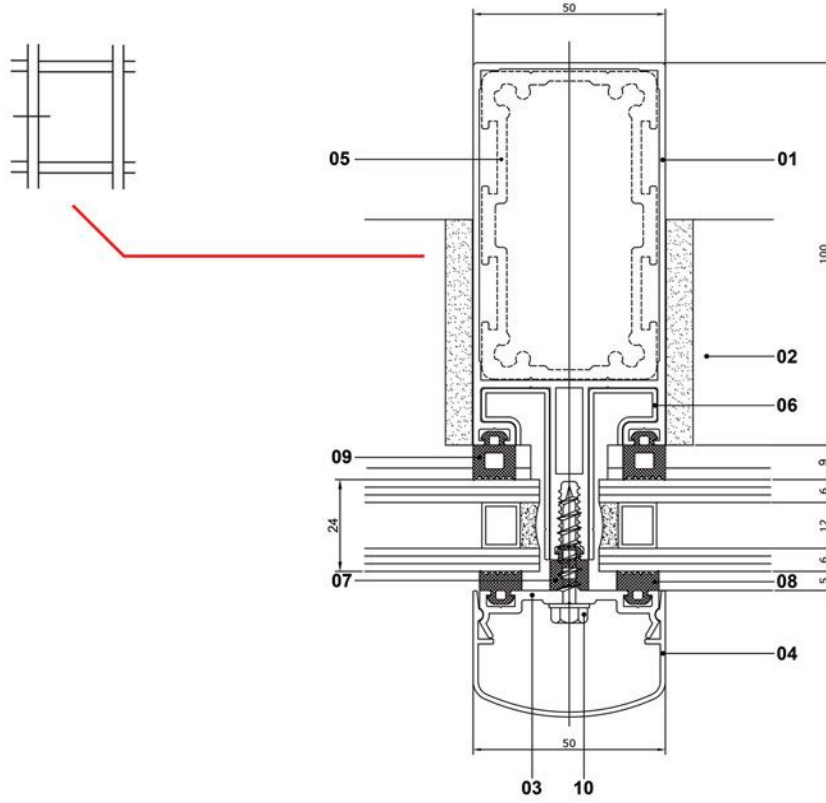
This system is on the website

Curtain Wall Series

Caped

Curtain Wall System

System Accessories



Hinged Group

Sliding Group

Additional

Curtain Wall

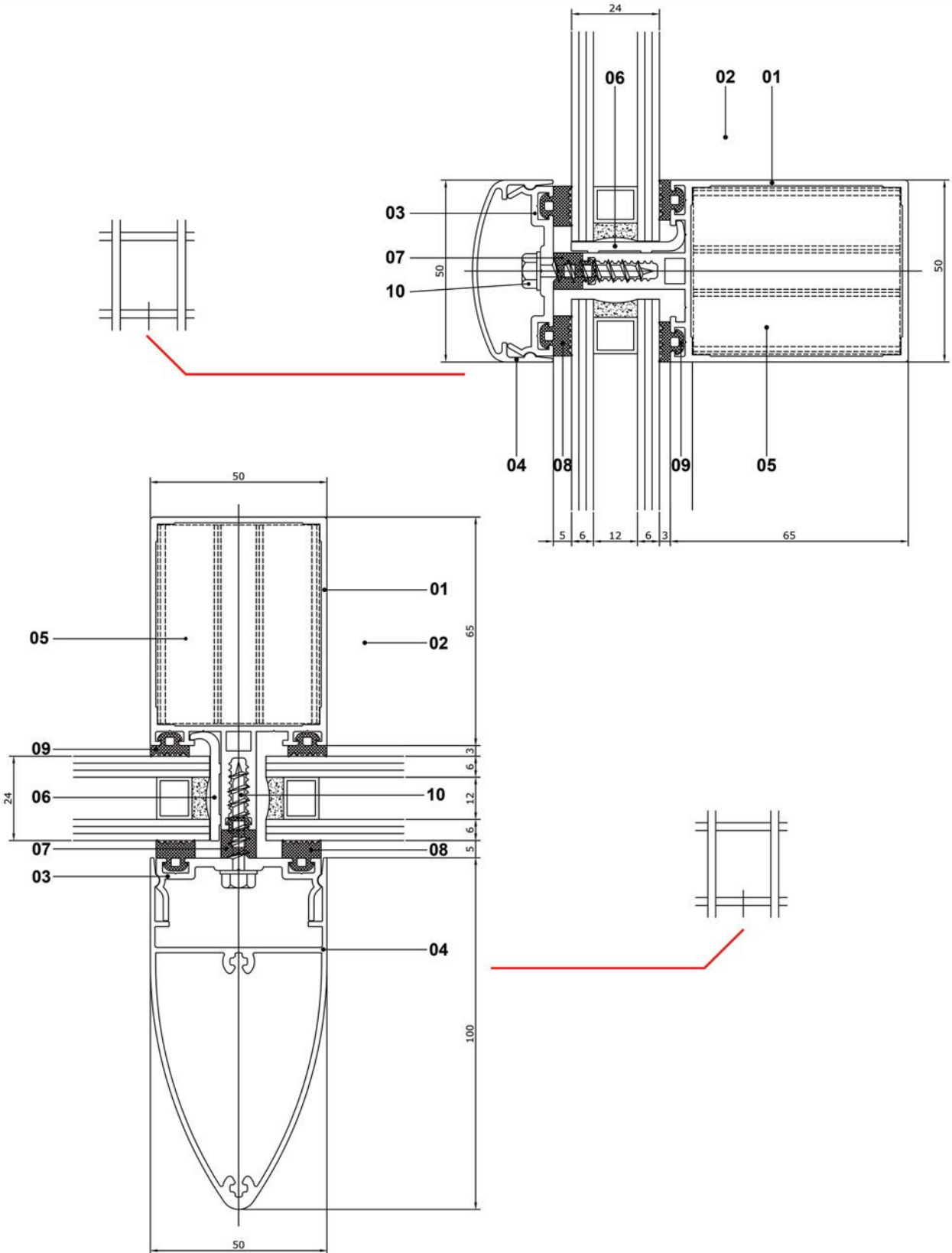


Curtain Wall Series
 Caped
Curtain Wall System
 System Accessories

Please scan

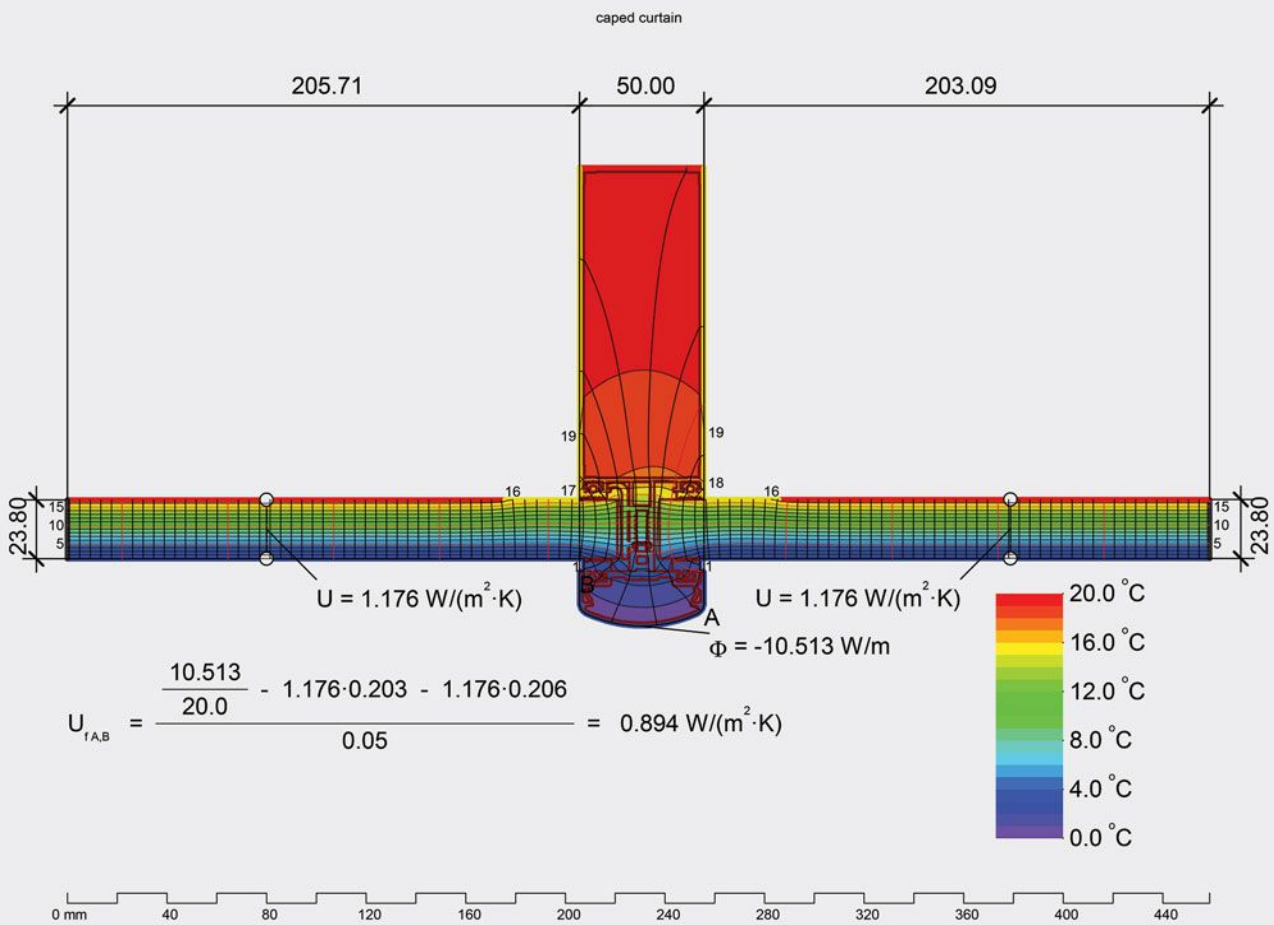


This system is on the website



Hinged Group
 Sliding Group
 Additional
Curtain Wall

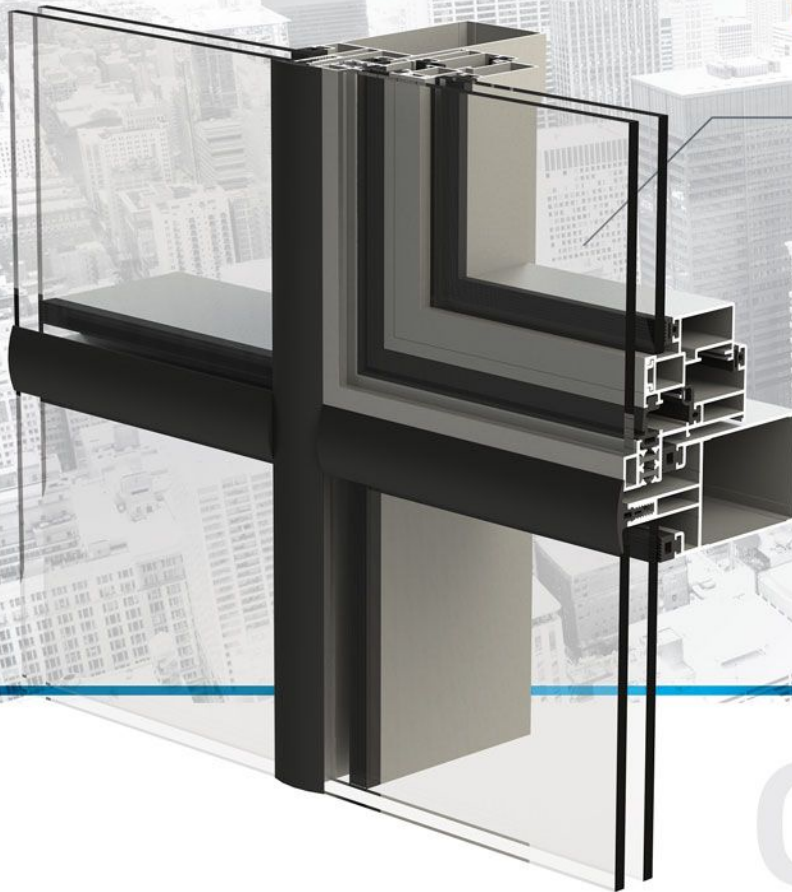
Curtain Wall System Caped



Material	λ[W/(m·K)]	ε	oundary Condition	q[W/m ²]	θ[°C]	R[(m ² ·K)/W]	ε
6063-T4	0.027	0.900	n 0.9				0.900
EPDM (ethylene propylene diene monomer)	0.250	0.900	or, frame	0.000		0.040	
Panel	0.035	0.900	r, frame, normal	20.000		0.130	
Unventilated air cavity *			r, frame, reduced	20.000		0.200	
* EN ISO 10077-2:2017, 6.4.3/anisotrop			etry/Model section	0.000			

Semi Caped Curtain Wall System

Uf: 4.60 w/m2k



Semi Caped

Curtain Wall System

System Specification

EPDM identification and sealing gaskets

Maximum height of Mullion:	180 mm
Minimum height of Mullion:	50 mm
Maximum height of Transom:	162 mm
Minimum height of Transom:	35 mm
Width of Mullion and Transom:	50 & 51 mm
Wall thickness:	1.5 - 2.5 mm
Glass thickness:	6 to 50 mm
Thermal Conductivity:	Uf: 4.60 w/m2k



Turn

Tilt and Turn

French

parallel

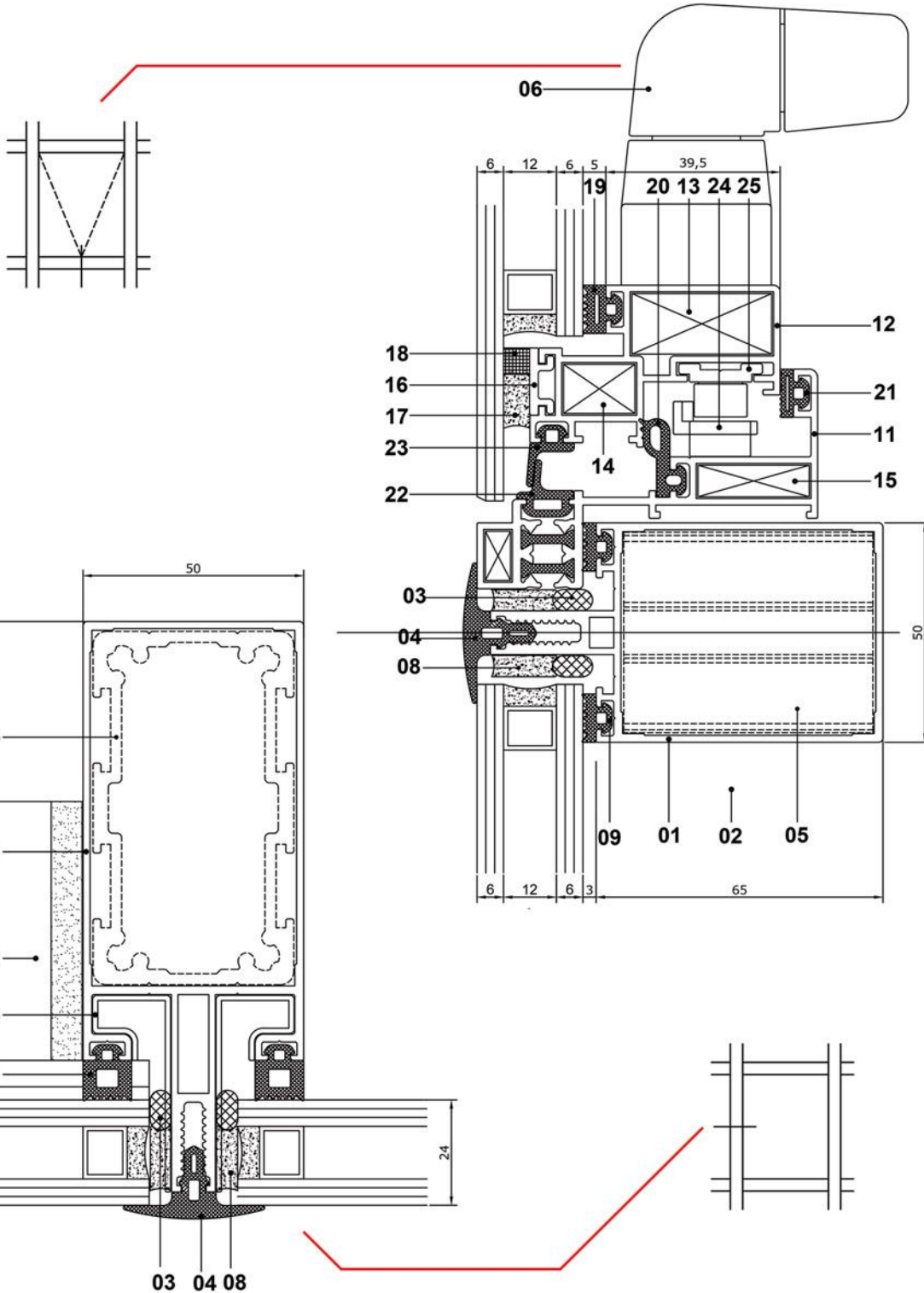
friction

Please scan



This system is on the website

Curtain Wall Series
Semi Caped
Curtain Wall System
System Accessories



Hinged Group

Sliding Group

Additional

Curtain Wall



Curtain Wall Series
 Semi Caped
Curtain Wall System
 System Accessories

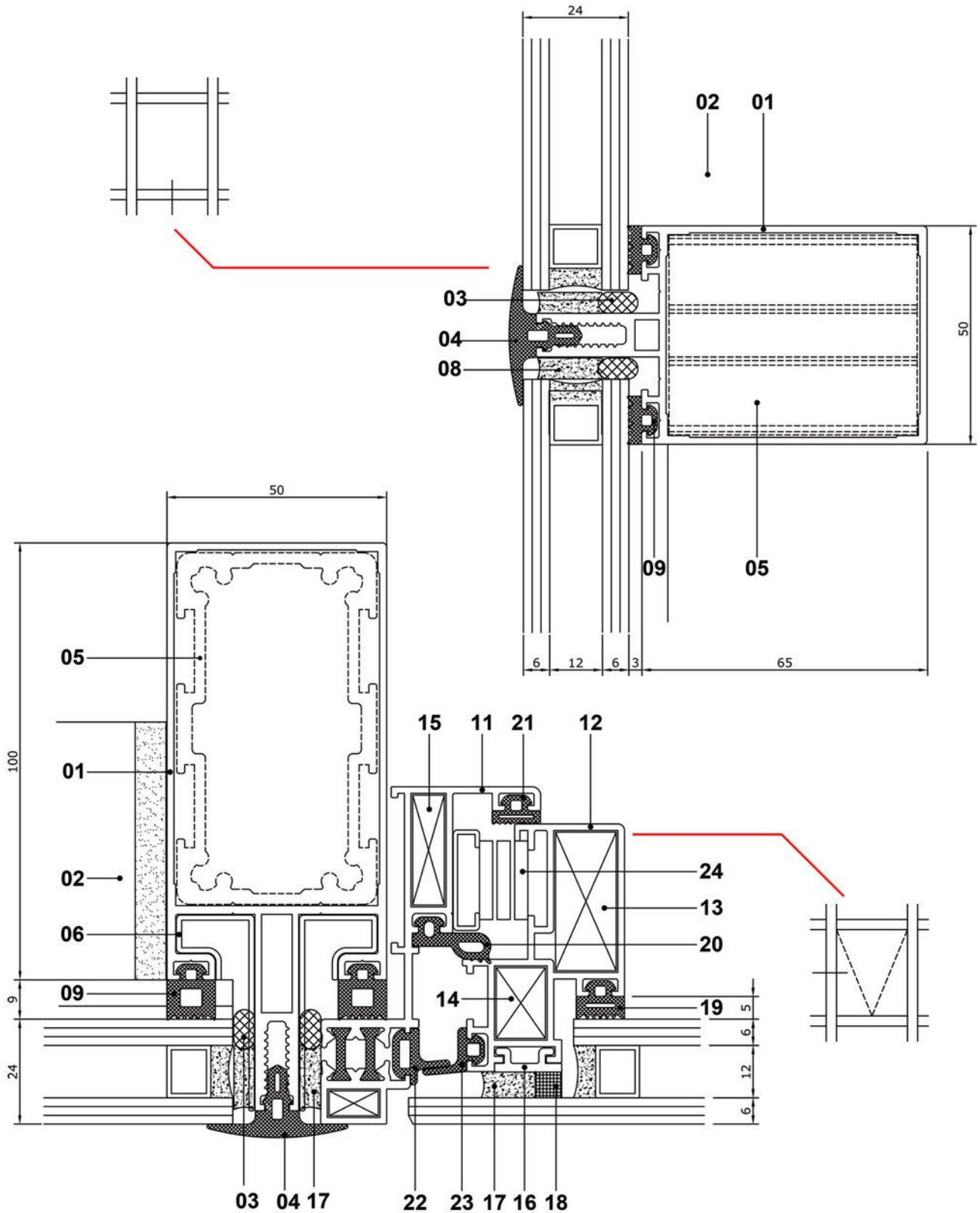
Please scan



This system is
 on the website



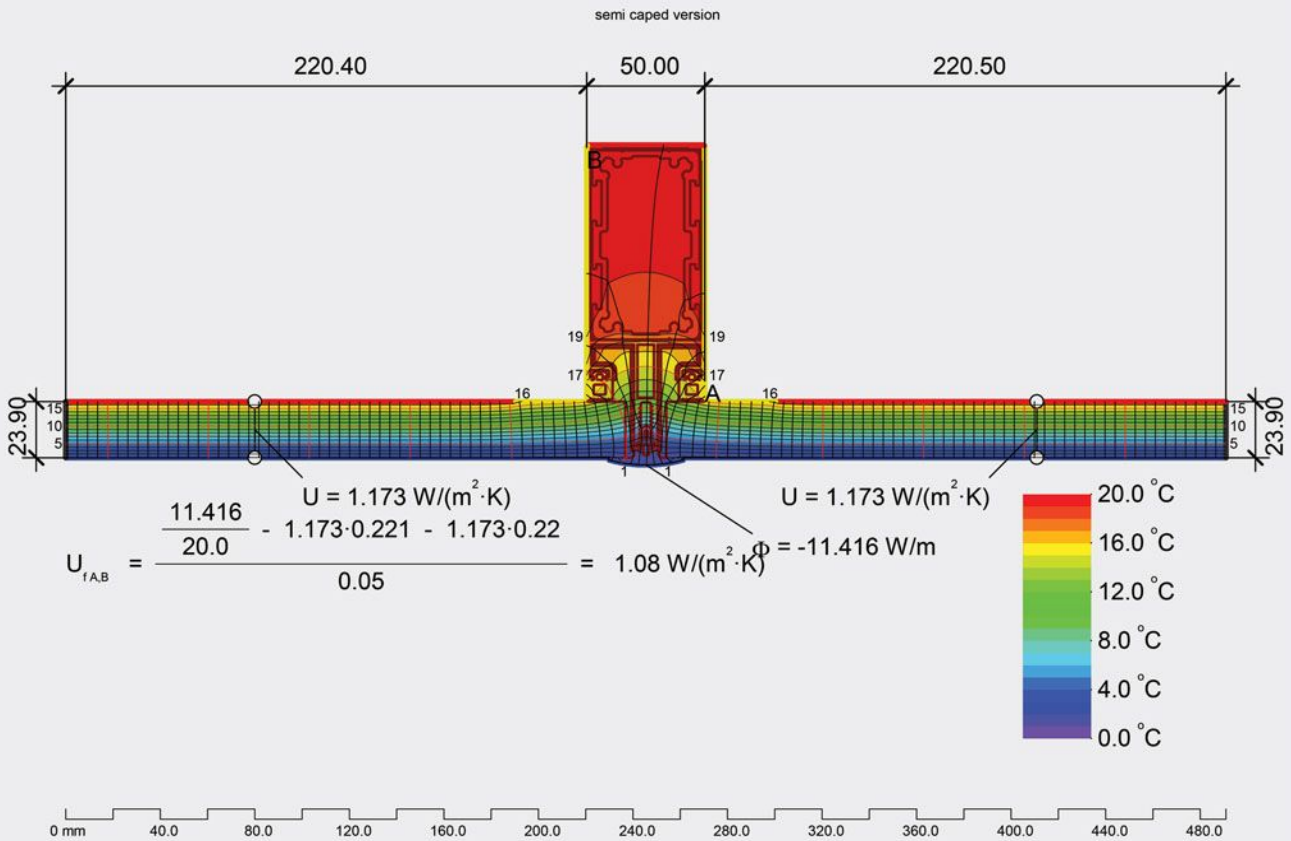
ALUXIL
 ALUMINIUM



Hübək Çatı
 Zıqıq Çatı
 Yaqılıq
 Çıqıq Məll

Curtain Wall System

Semi Caped



Material	λ [W/(m·K)]	ϵ	Boundary Condition	q [W/m ²]	θ [°C]	R [(m ² ·K)/W]	ϵ
6063-T4	0.027	0.900	n 0.9				0.900
EPDM (ethylene propylene diene monomer)	0.250	0.900	or, frame	0.000		0.040	
Panel	0.035	0.900	r, frame, normal	20.000		0.130	
Unventilated air cavity *			r, frame, reduced	20.000		0.200	
			etry/Model section	0.000			

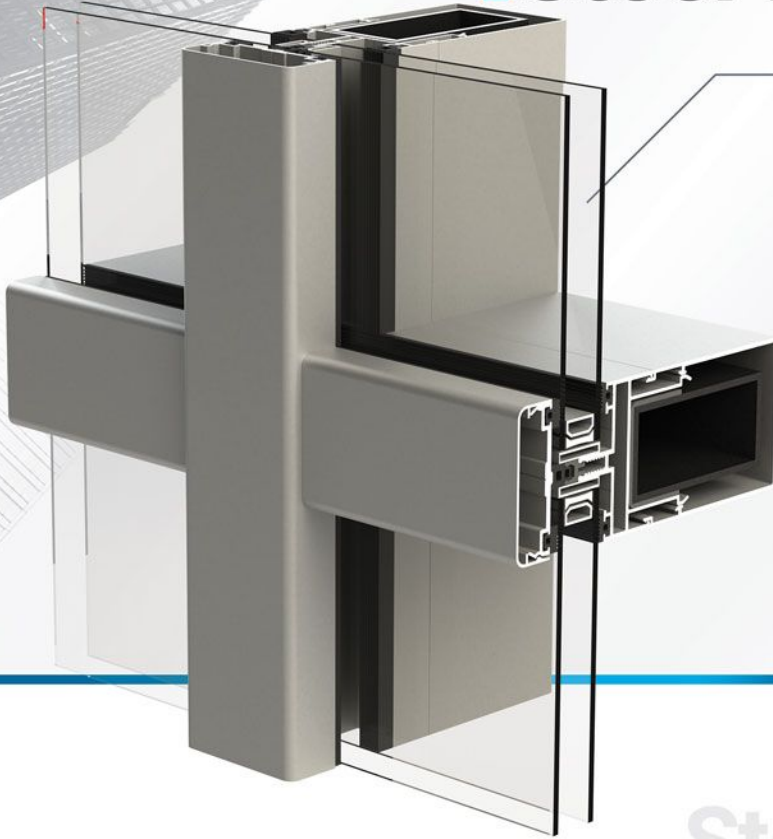
* EN ISO 10077-2:2017, 6.4.3/anisotrop

Facade System

Steel Reinforced

65mm

Facade System



Steel Reinforced Facade System

System Specification

EPDM identification and sealing gaskets

Maximum height of Mullion:	162 mm
Minimum height of Mullion:	62 mm
Maximum height of Transom:	168 mm
Minimum height of Transom:	68 mm
Width of Mullion and Transom:	65 mm
Wall thickness:	1.5 - 2.5 mm
Glass thickness:	6 to 40 mm

Type OF
opening

Turn

Tilt and Turn

French

parallel

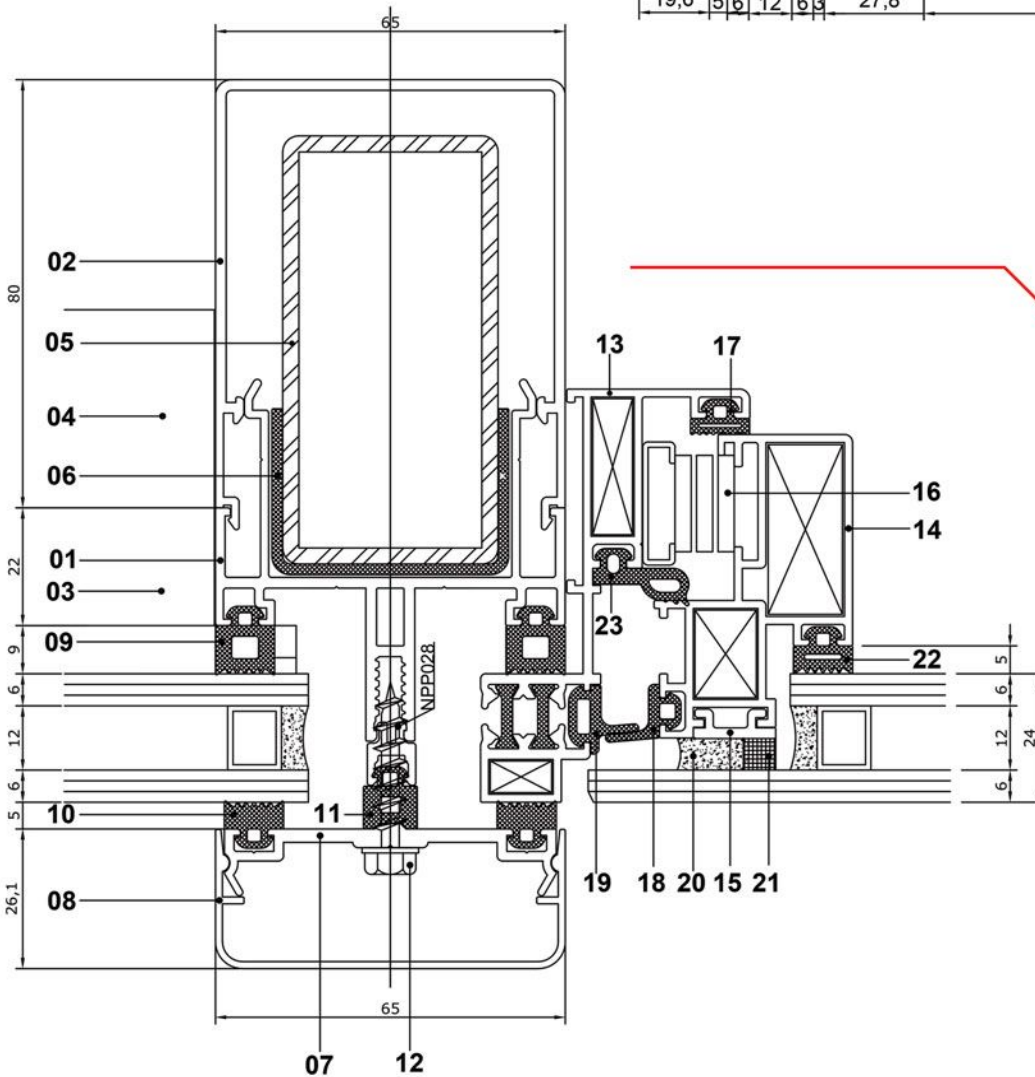
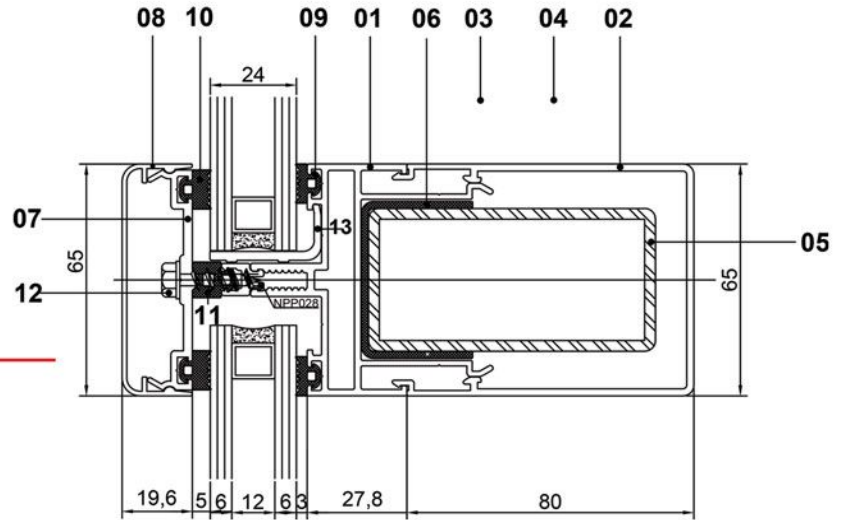
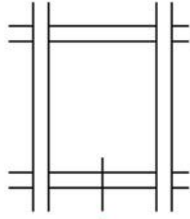
friction

Please scan



This system is on the website

Curtain Wall Series
Facade System
65mm Steel Reinforced
System Accessories



Hinged Group

Sliding Group

Additional

Curtain Wall

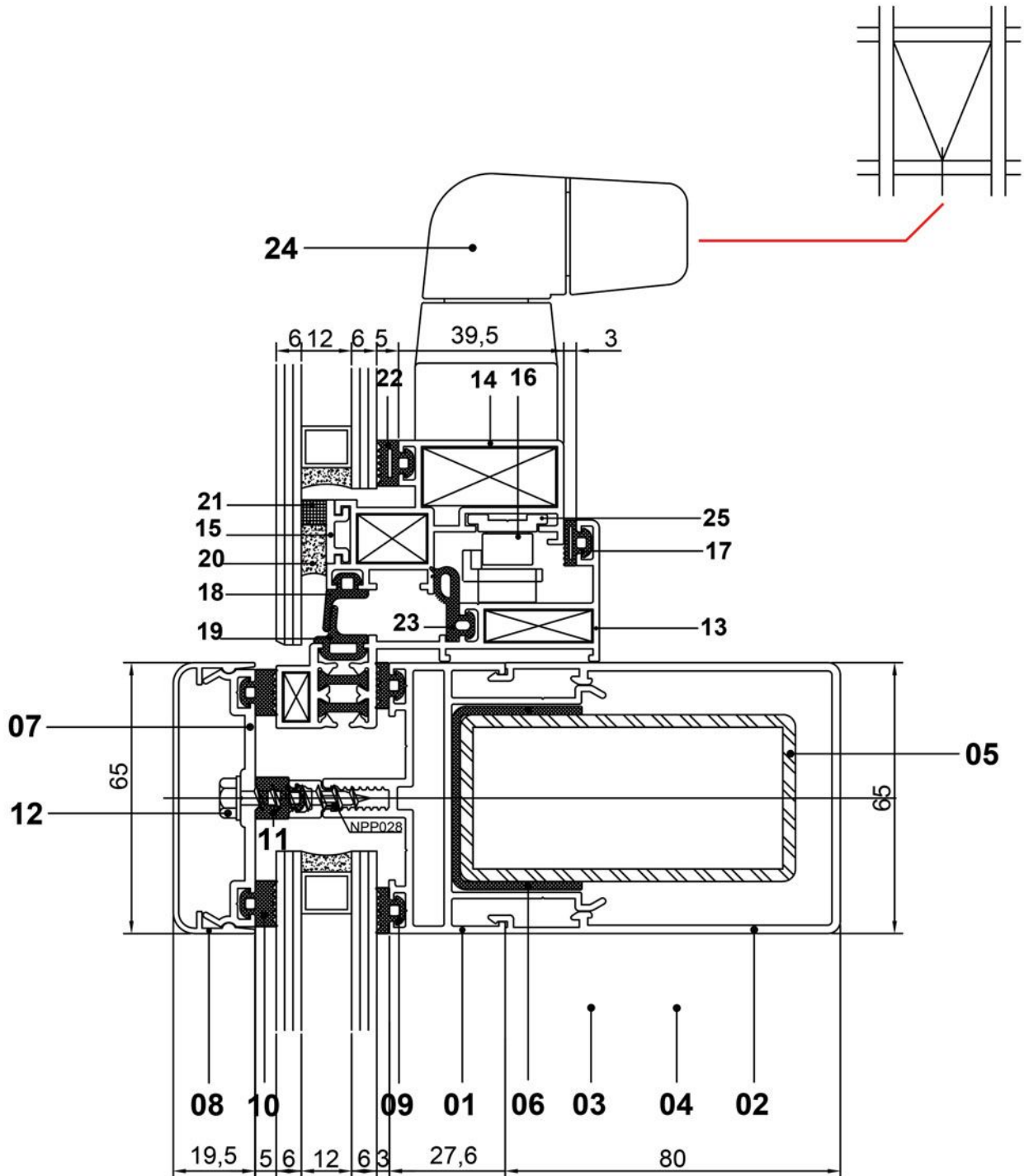


Curtain Wall Series
 Facade System
65mm Steel Reinforced
 System Accessories

Please scan



This system is on the website



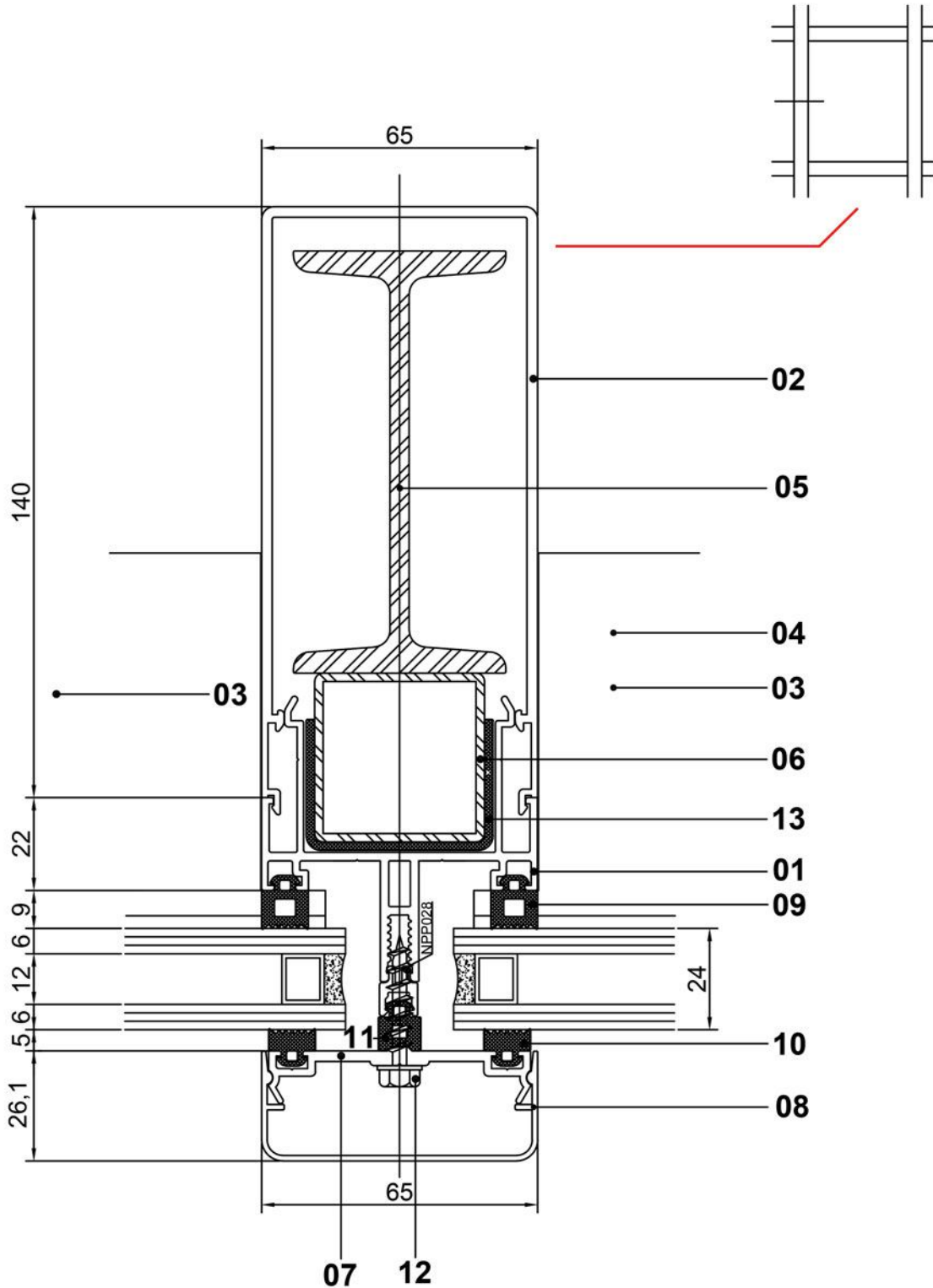
Hinged Group
 Sliding Group
 Additional
 Curtain Wall

Please scan



This system is on the website

Curtain Wall Series
Facade System
65mm Steel Reinforced
System Accessories



Hinged Group

Sliding Group

Additional

Curtain Wall

Caped Curtain Wall System

$U_{cw}=1.8w/m^2k$
60mm



Structural Glazing System
Caped

Curtain Wall System

System Specification

Possibility of installing million and transom of one type of profile **EPDM identification and sealing gaskets**

Biggest size of Mullion and Transom:	149,8 mm
inner and outter size of Profile:	60 mm
Wall thickness:	2,8 - 3,2 mm
Glass thickness:	27,5 to 50 mm
Thermal Conductivity:	$U_{cw}=1.8w/m^2k$



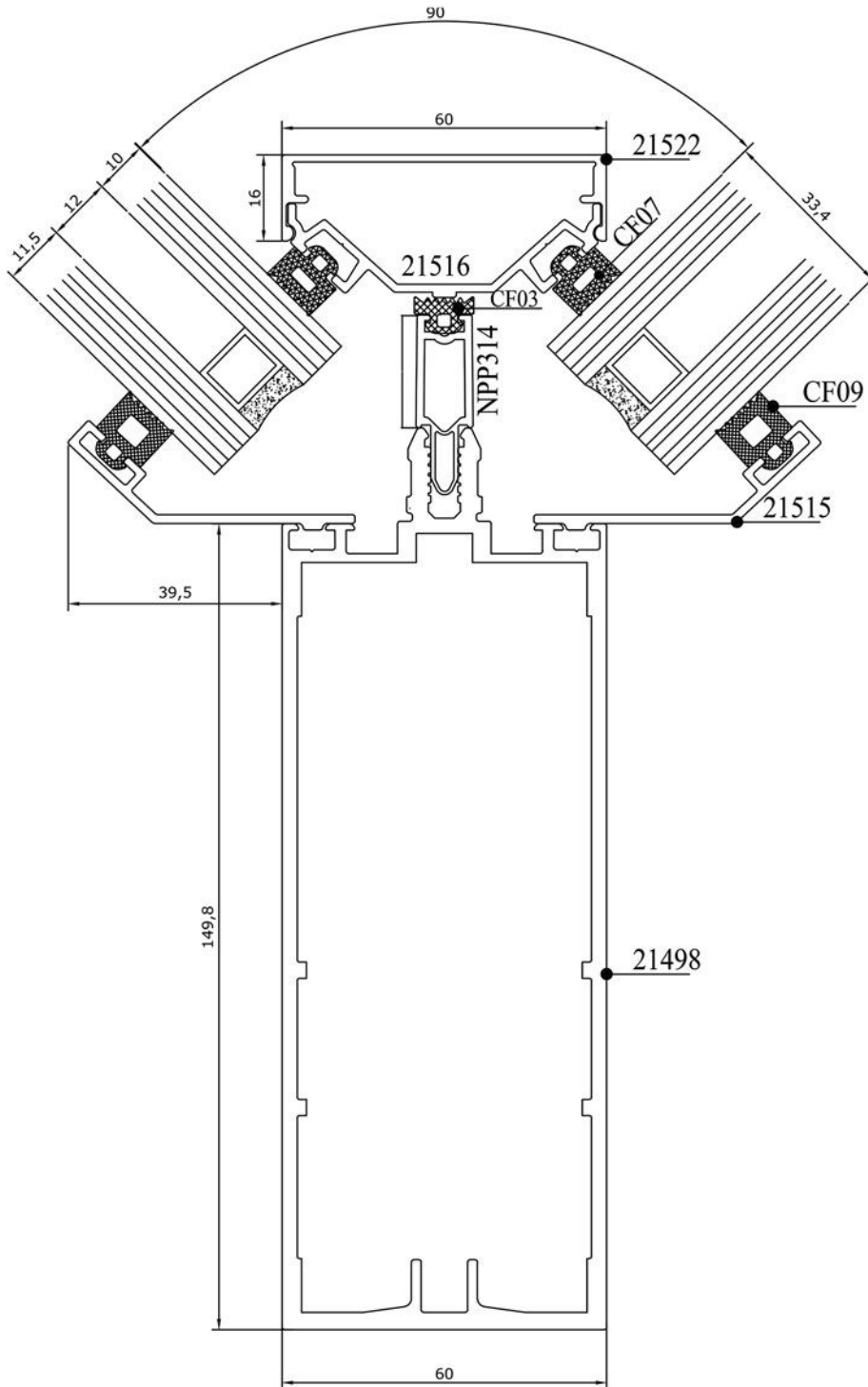
- Turn
- Tilt and Turn
- French
- parallel
- friction

Please scan



This system is on the website

Curtain Wall Series
 Structural Glazing System
60mm Caped Curtain Wall
 System Accessories



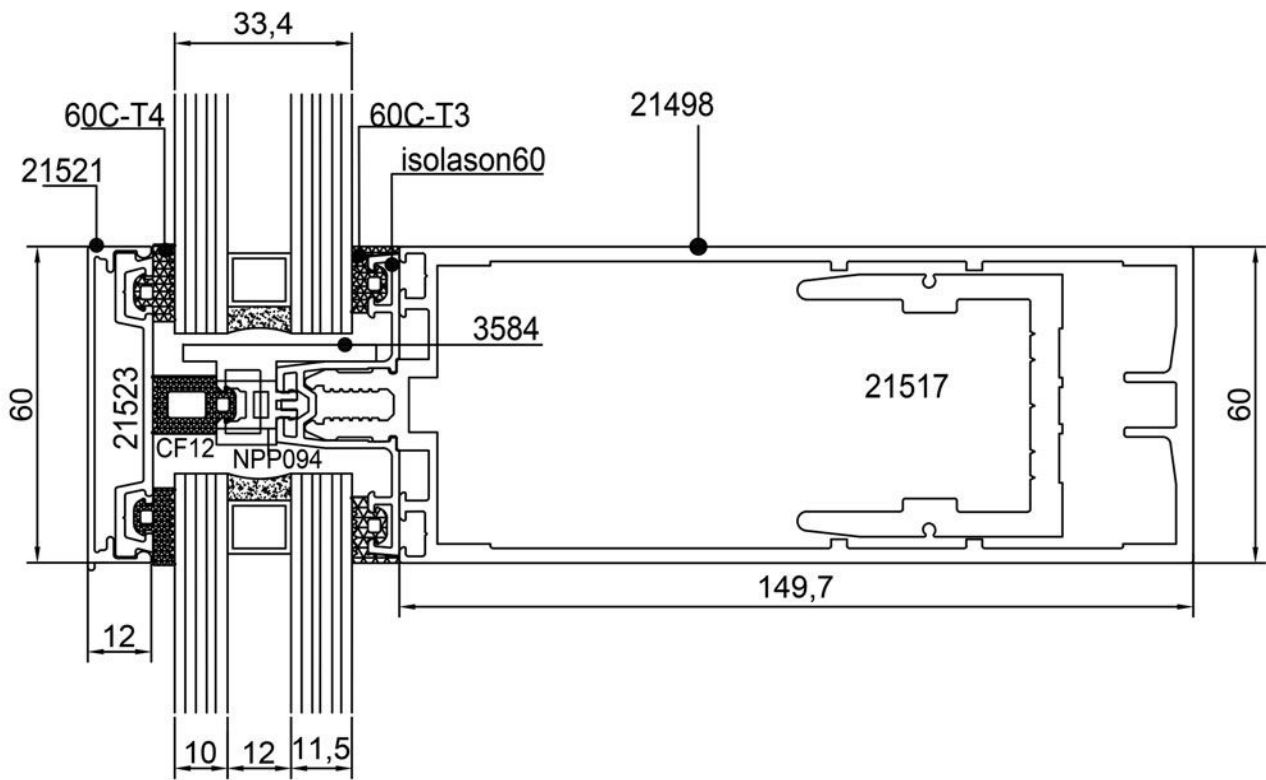
- Hinged Group
- Sliding Group
- Additional
- Curtain Wall



Curtain Wall Series
 Structural Glazing System
60mm Caped Curtain Wall
 System Accessories

Please scan

 This system is
 on the website



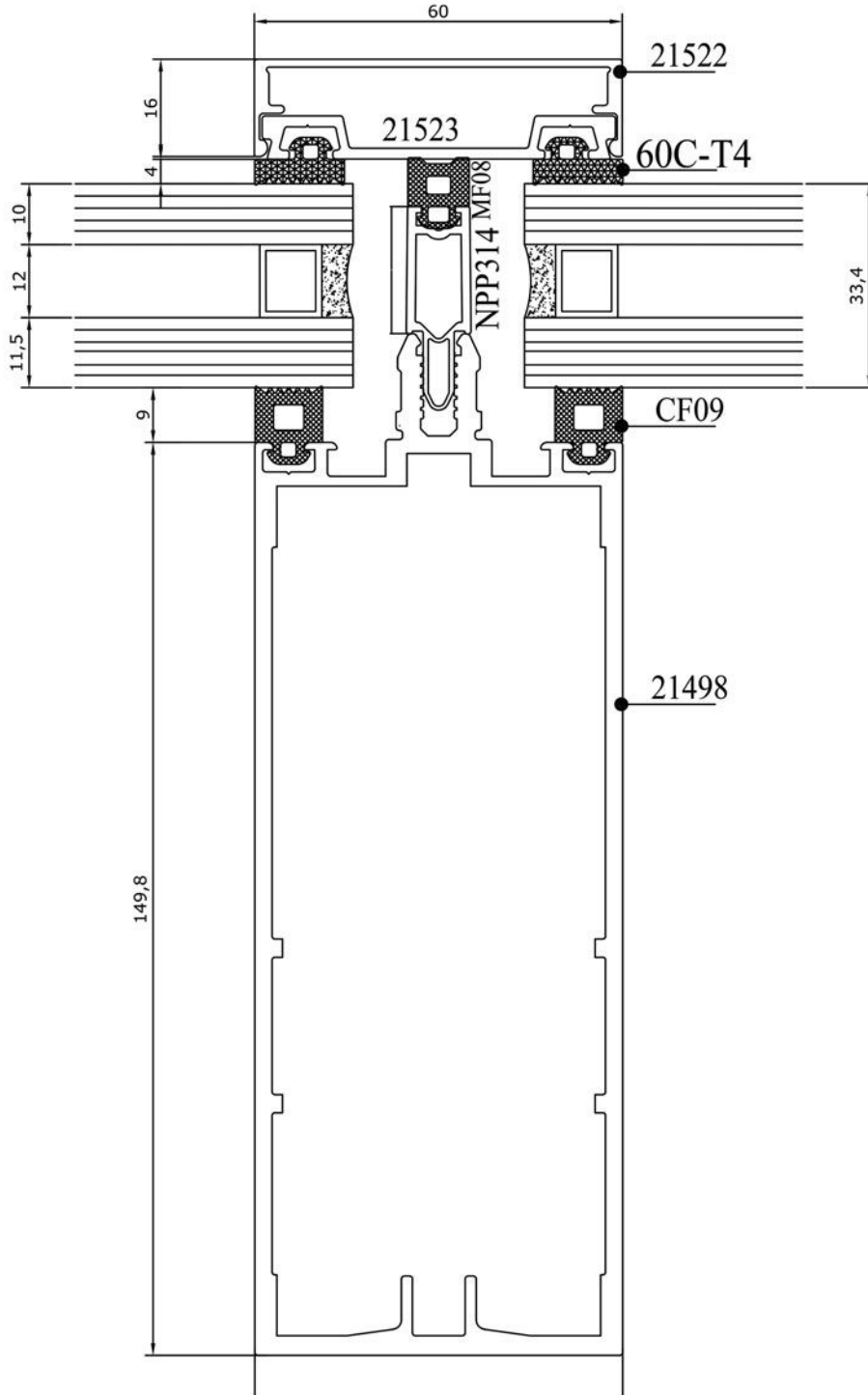
Hinged Group
 Sliding Group
 Additional
Curtain Wall

Please scan



This system is on the website

Curtain Wall Series
Structural Glazing System
60mm Caped Curtain Wall
System Accessories



Hinged Group

Sliding Group

Additional

Curtain Wall



ALUXII
A L U M I N I U M

© Copyright Allrights reserved it shall not be reproduce
Aluminium Profiles Catalog / 2023 - 2024



Version
03
2023-2024
IT SHALL NOT BE REPRODUCE



ALUXII
A L U M I N I U M

© Copyright Allrights reserved it shall not be reproduce
Aluminium Profiles Catalog / 2023 - 2024



ALUXII
A L U M I N I U M

© Copyright Allrights reserved it shall not be reproduce
Aluminium Profiles Catalog / 2023 - 2024



Germany: Königsallee 27, 40212 Düsseldorf
Tel :+49(211)73067256
+49(211)73067258