



**ALUXIL**  
A L U M I N I U M

## Catalog of Aluminium Profiles

Beta Version

**03**

**2023-2024**

©Copyright Allrights Reserved  
IT SHALL NOT BE REPRODUCE

6063 -T4 Mechanical Analysis		
Physical & mechanical properties	Metric system	English system
Density	2.7 g/cc	0.0975 lb/in <sup>3</sup>
Brinell hardness	60-65	60-65
Ultimate tensile strength	172 MPa	25000 psi
Tensile strength	89.6 MPa	13000 psi
Length increase at break point	22 %	22 %
Modulus of elasticity	68.9 GPa	10000 ksi
Poisson ratio	0.33	0.33
Machining	50 %	50 %
Shear modulus	25.8 GPa	3740 ksi
Shear strength	110 MPa	16000 psi
electrical resistance	3.3e-006 ohm-cm	3.3e-006 ohm-cm
F ° 68 line CTE	23.4 µm/m-°C	13 µin/in-°F
C °250 line CTE	25.6 µm/m-°C	14.2 µin/in-°F
Specific heat capacity	0.9 J/g-°C	0.215 BTU/lb-°F
Thermal conductivity	200 W/m-K	1390 BTU-in/hr-ft <sup>2</sup> -°F
Melting point	616 - 654 °C	1140 – 1120 °F
Freezing line	616 °C	1140 °F
liquidus	654 °C	1210 °F
Annealing	413 °C	775 °F
Soluble temperature	521 °C	970 °F
Aging temeprature	177 °C	350 °F

6063 -T4 Chemical analysis									
Aluminium	Copper	Chrome	Titanium	Zinc	Silicone	Magnesium	Iron	Mangans	Chemical Element
Balance	0.0-0.10	0.0-0.10	0.0-0.10	0.0-0.10	0.20-0.60	0.45 -0.90	0.0 -0.35	0.0-0.10	Percent



**ALUXIL**  
A L U M I N I U M

## Index

■ Bioklimatik System .....	» 06
■ Ultra Veranda System .....	» 14

© Copyright Allrights reserved it shall not be reproduce  
Aluminium Profiles Catalog / 2023 - 2024

Door and window as well as the Curtain wall systems estimation and calculation are approved in the **orgadata** software.





# ALUXIL

A L U M I N I U M



# Bioklimatik System



## System Specification

Installation:	Self - Supporting - Wall - Mounted
Material:	Aluminium
Specifications:	Custom - Bioklimatik - Wind - Proof
Style:	Contemporary

### DESCRIPTION

Let the **sunshine** in, or not...

### TAKE CONTROL

his new bioclimatic pergola manages sunlight, air ventilation and heat while protecting against rain and humidity. Equipped with motorised adjustable slats controlled by remote control, you can always keep the desired coolness and shade. As the temperature cools, the slats open automatically, you want more shade... silently, the slats close!

# Bioklimatik

## System

*The Sepalumatic bioclimatic pergola is an ideal product for sunny days with friends or family.*

### ► DRESS UP YOUR GARDEN IN STYLE

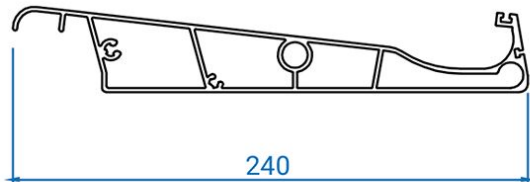
Set against your house or in your garden, the Sepalumatic bioclimatic pergola is a new living space. Designed to measure, with its resolutely modern aesthetic, it fits perfectly into all types of architecture. A top-of-the-range system with no visible mechanism brings sobriety and elegance to your pergola.

### ► The + Products

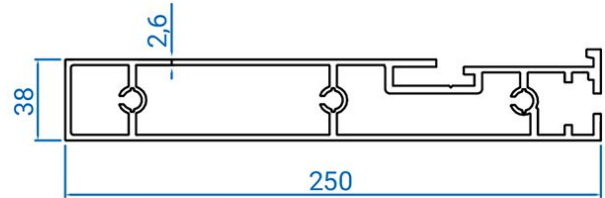
- + Maximum dimensions per module: 4500 mm X 6500 mm
- + Height up to 3000 mm
- + Slats in tubular aluminium profiles giving a flat ceiling appearance
- + Concealed motor, screw and downpipe - Invisible system
- + Sunlight control with slat orientation up to 135
- + Perfectly sealed
- + Customisable to the colour of your choice (excluding blades)

### ► Your Benefits

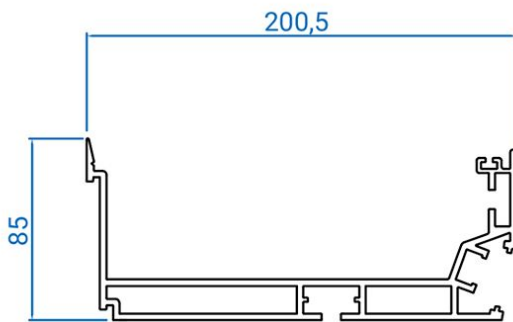
- + Uncluttered aesthetics
- + Simple to manufacture and install with only 7 profiles
- + Integrated sensors as standard:
  - Wind sensor to open the slats in case of storm
  - Rain sensor to close the slats when it rains
  - Temperature sensor to regulate heat
- + Numerous options available:
  - Electric heating
  - Control unit to control the orientation of the slats



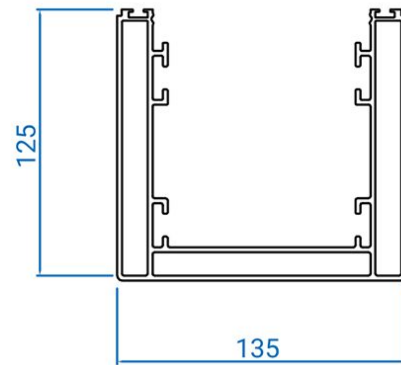
4080 | LAMELLA | 3692.77 grams



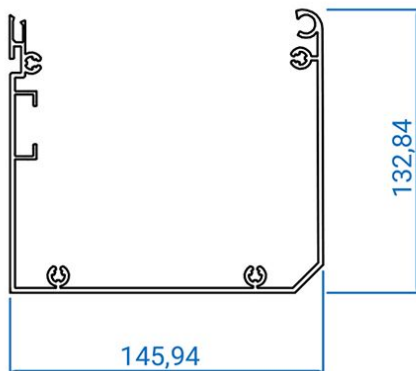
4081 | WALL PROFILE | 5717.20 grams



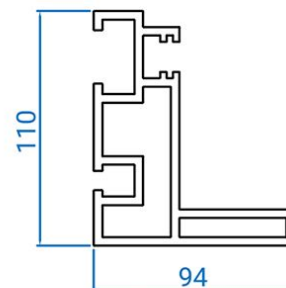
4082 | GUTTER | 5108.61 grams



4083 | column | 5226.74 grams

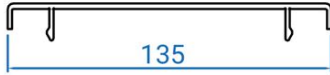
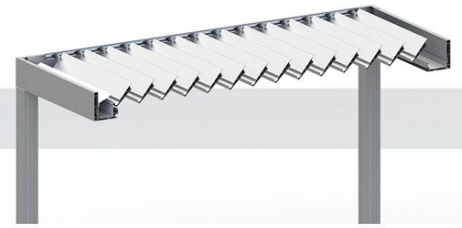


4084 | ENGINE BOX | 3315.71 grams

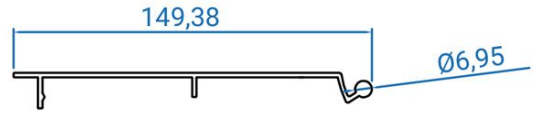


4085 | RAIL | 5059.80 grams

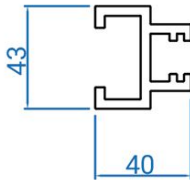




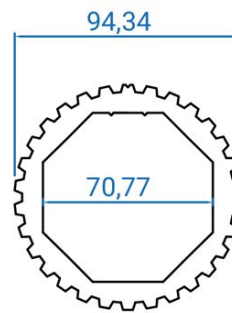
4086 | column CAVER | 1059.71 grams |



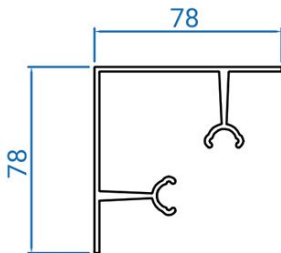
4087 | ENGINE BOX COVER | 946.08 grams |



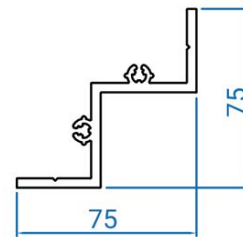
4088 | RAIL TOP ADD | 1446.83 grams |



4089 | ADD ENGAIN | 6618.15 grams |



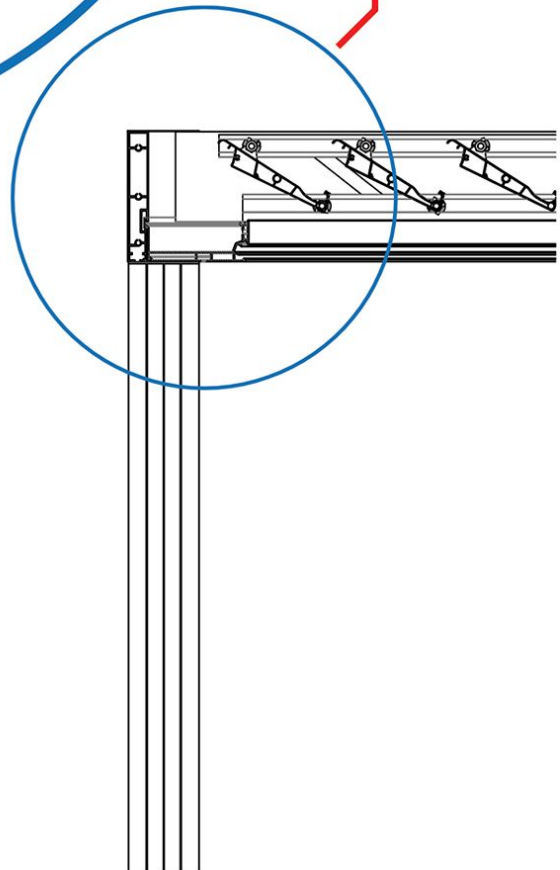
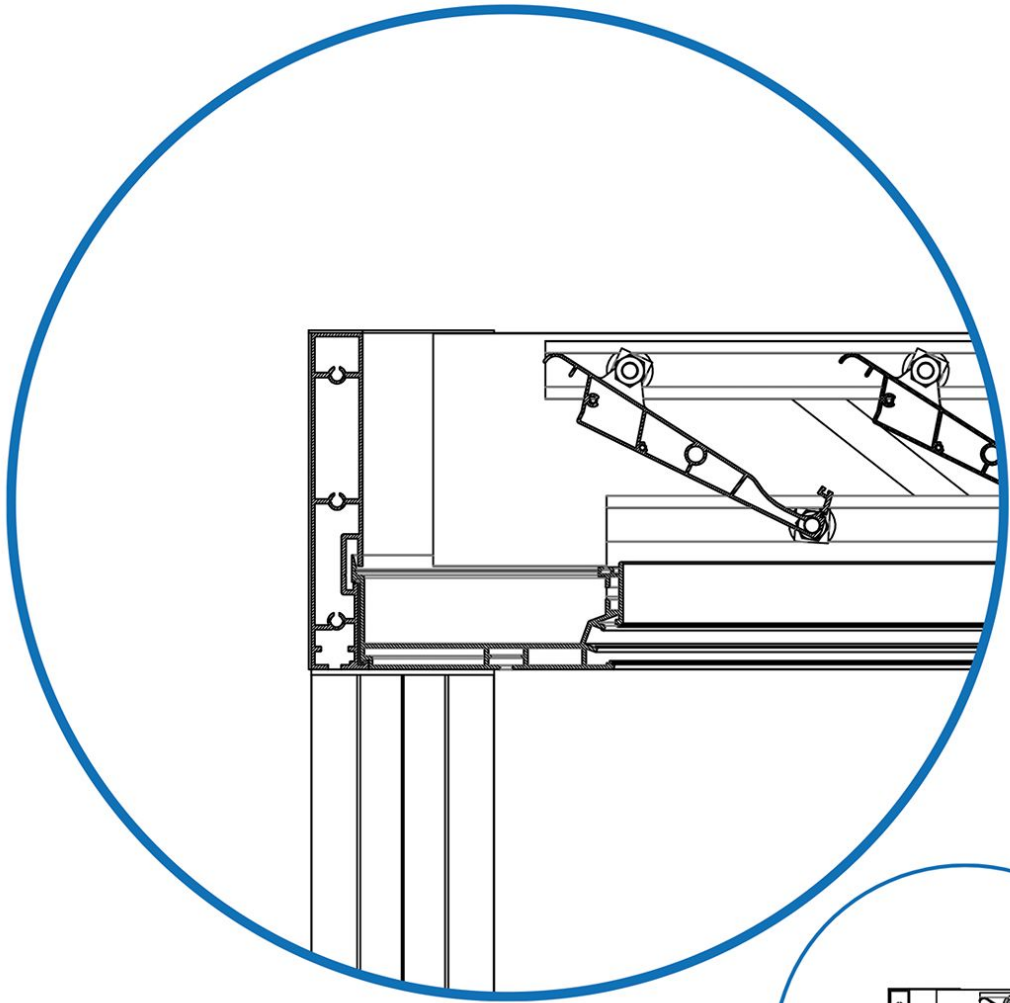
4090 | ADD column | 1468.90 grams |

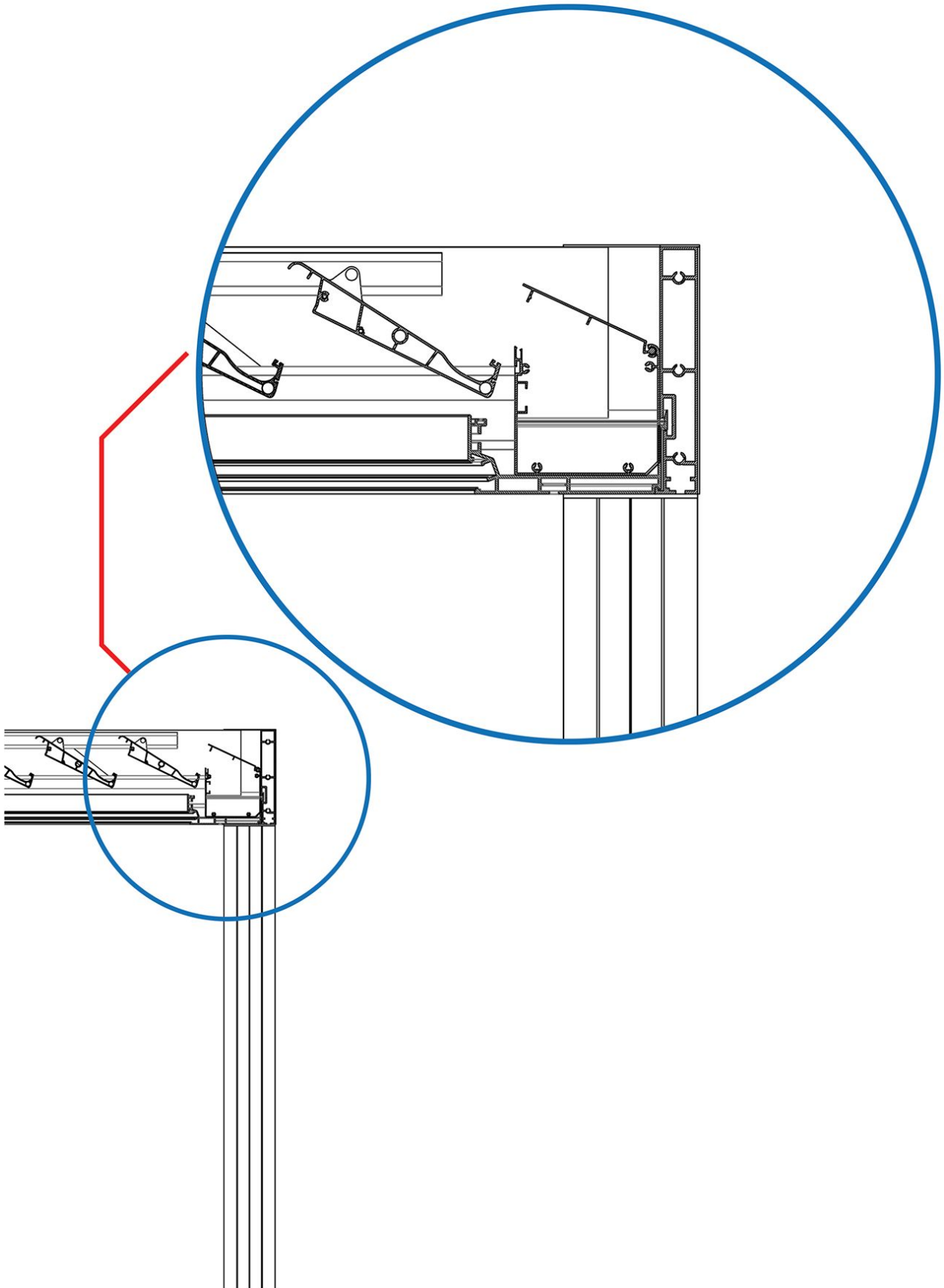


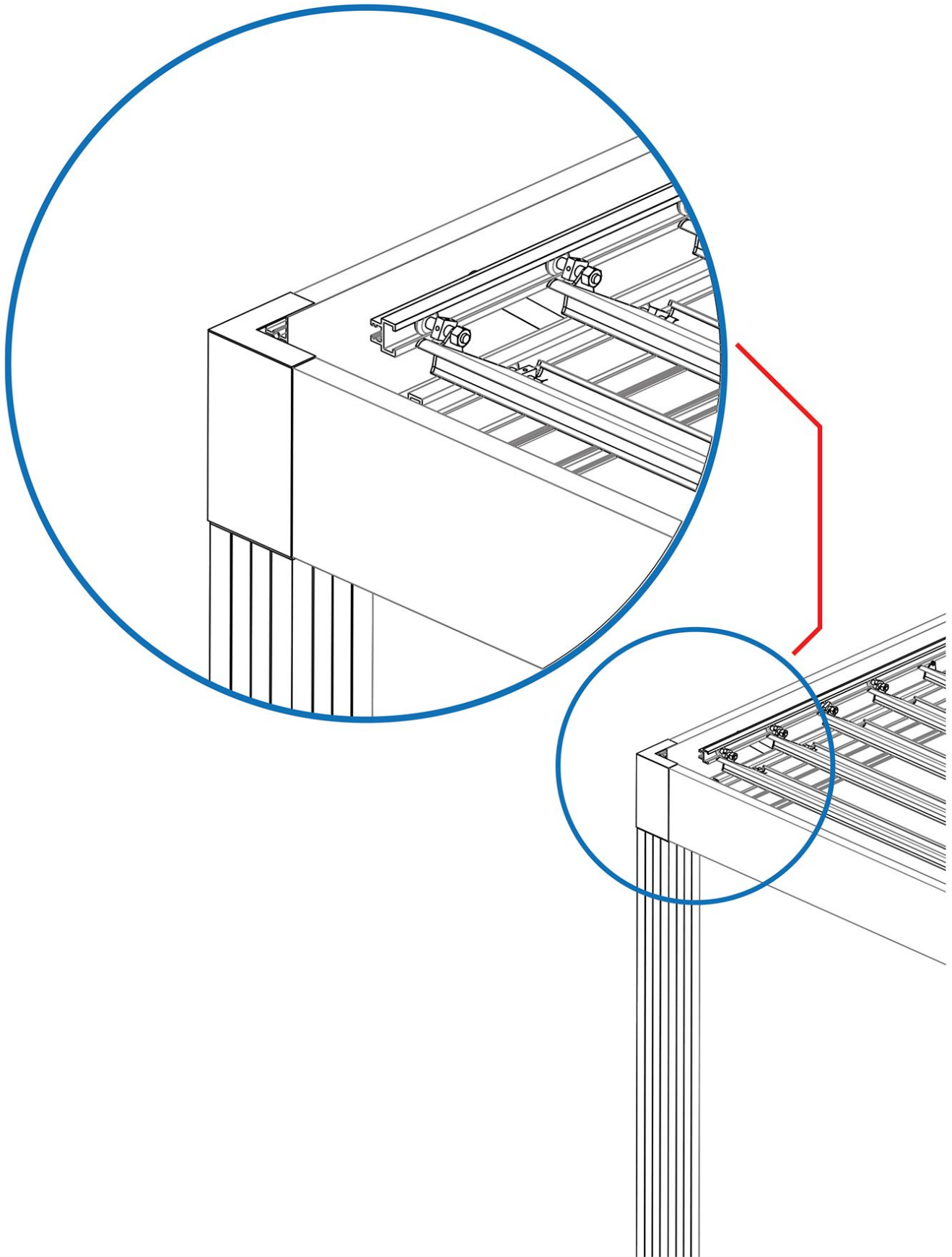
4091 | ADD column | 1798.77 grams |



4092 | watering can | 276.54 grams |





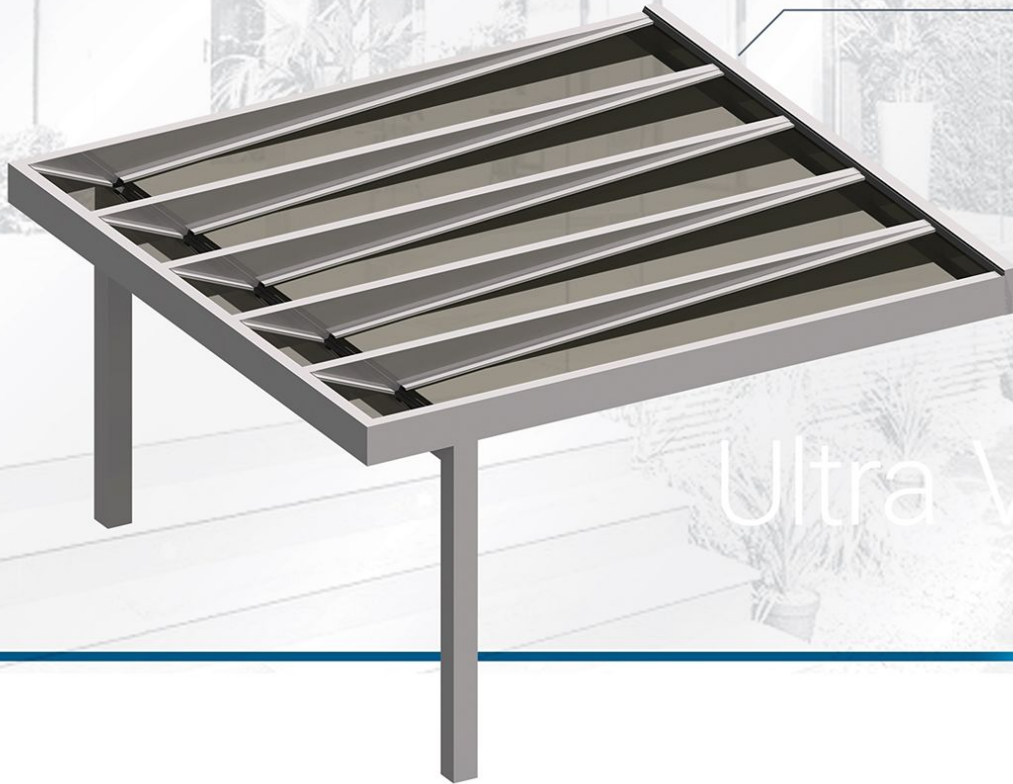




**ALUXIL**  
A L U M I N I U M

# **Bioklimatik** System

# Ultra Veranda System



Ultra Veranda System



## System Specification

There are no limits on the width

Maximum Projection is 6.5m

Front over-hang available 0.3m to 1m

LED Spot Lights

Glass Sliding Doors

### DESCRIPTION

Defined by its striking cubic design, this flat roof-look garden room features a wide span to ensure your view of the outside world is unobstructed. The finished structure is supported by two sturdy posts to create a clean, minimalist finish.

# Ultra Veranda

## System

*With a modern and sturdy appearance, our garden rooms fit perfectly into any contemporary outdoor space.*

Meanwhile, this product's larger posts and beams provide a wider overall span for an unobstructed view that not only maximises the outdoor ambience but truly enhances the overall experience.

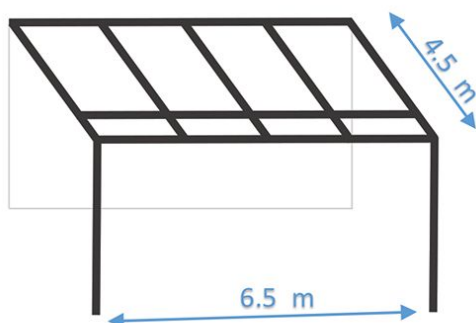
All in all, Ultra Veranda system is a real show-stealer with an innate wow factor that's hard to beat.



Our Ultra verandas have a concealed roof gradient, providing the appearance of a flat roof.

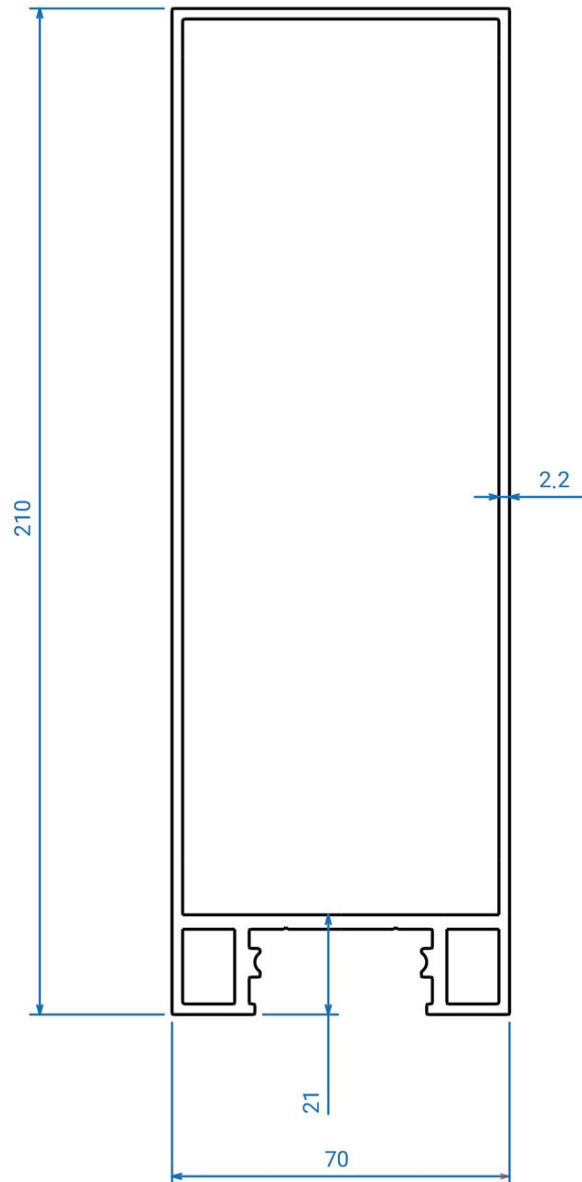


Combine your veranda with your favourite paving or decking design for an unrivalled



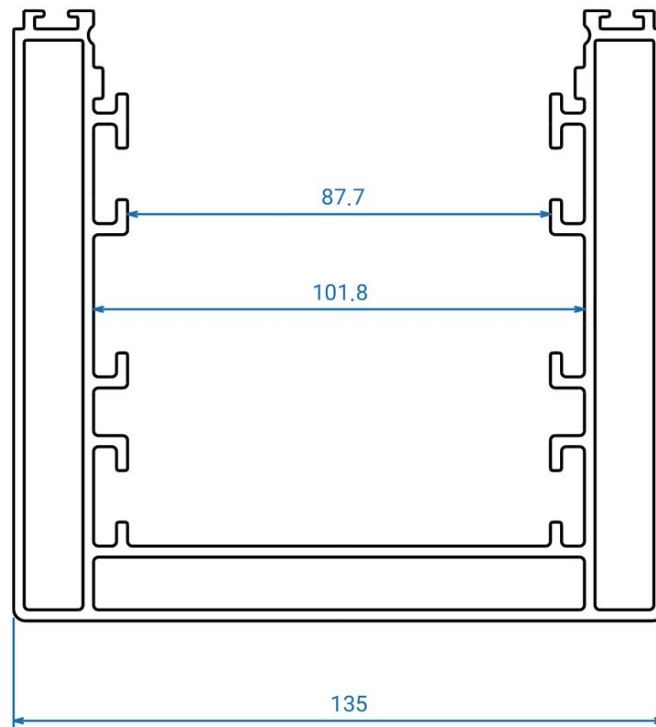
6.5m

6.5m max span on 2 posts

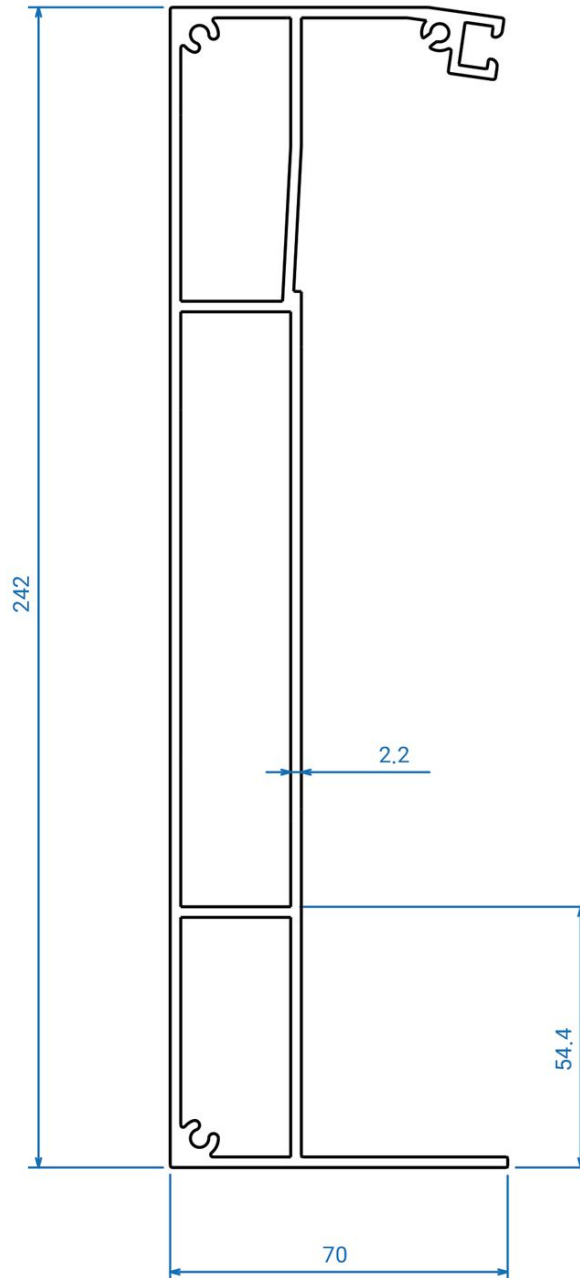


| 01 | Box Profile | 3742 grams |

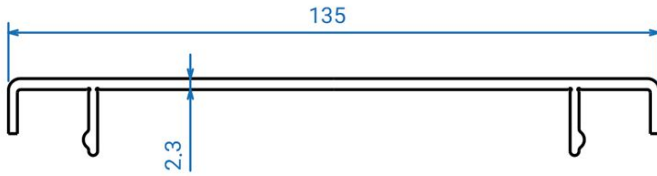




| 02 | Column (+Stud) Profile | 5368 grams |



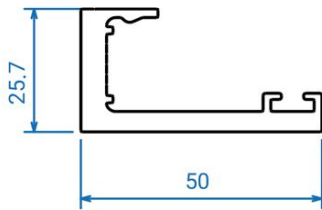
| 03 | Wall Holder Profile | 4299 grams |



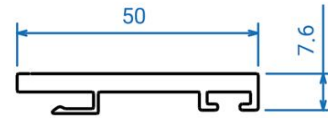
| 04 | Column Cap Profile | 1076 grams |



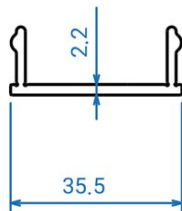
| 05 | Column Rail Profile | 687 grams |



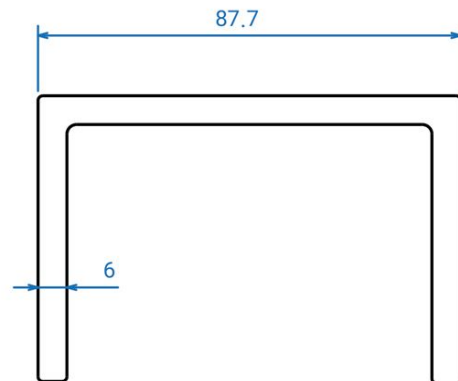
| 06 | Glass Holder Profile | 1007 grams |



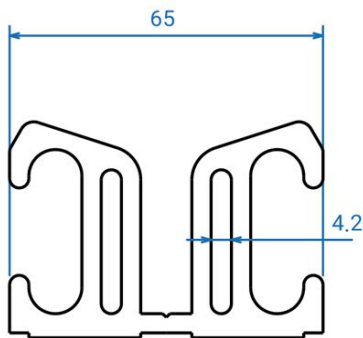
| 07 | Glass Holder Cap Profile | 598 grams |



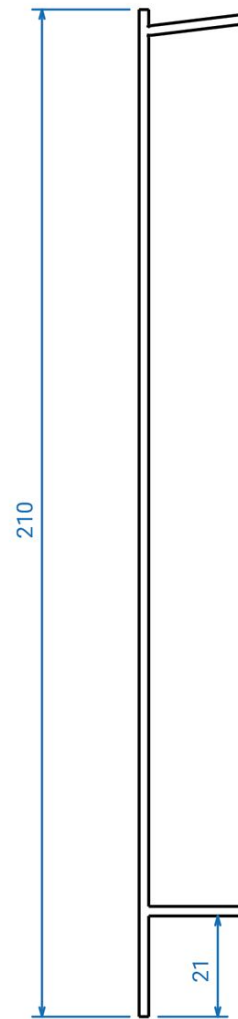
| 08 | Box Cap Profile | 344 grams |



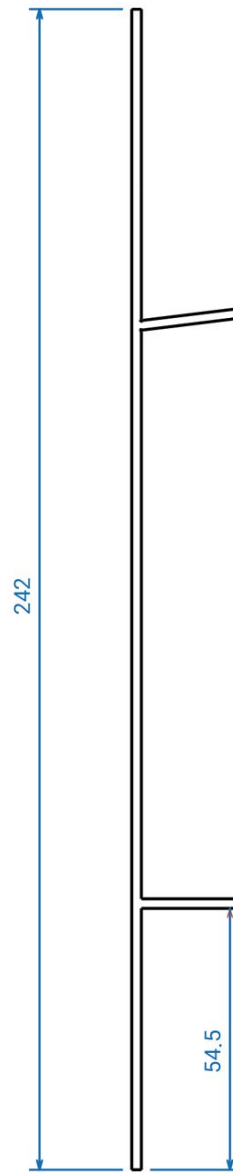
| 09 | Box Holder Profile | 3176 grams |



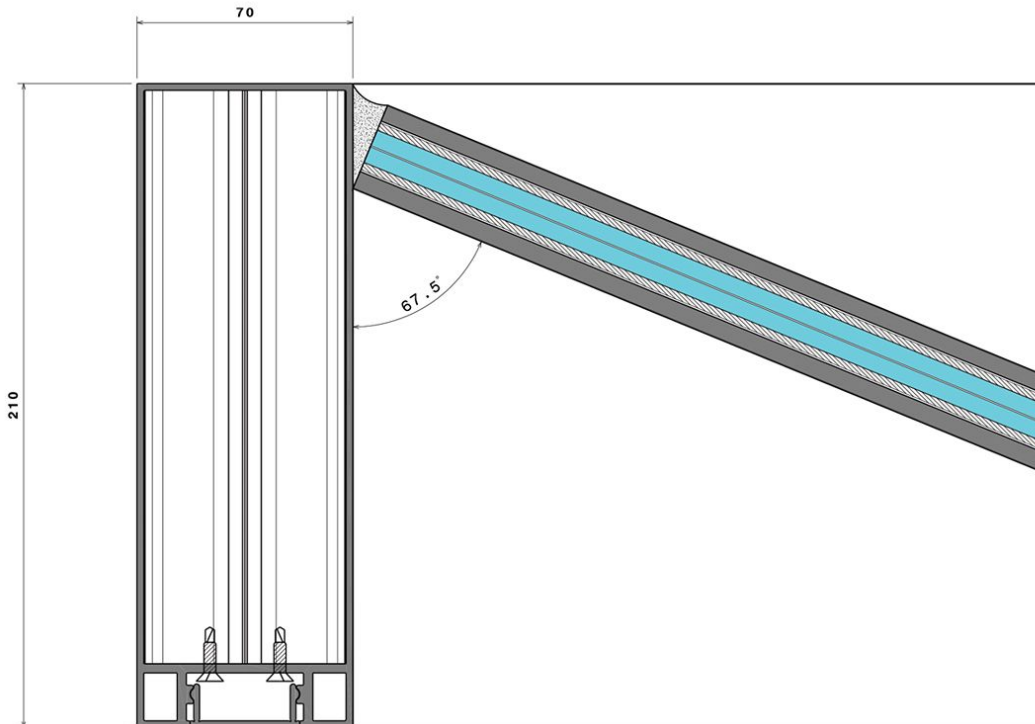
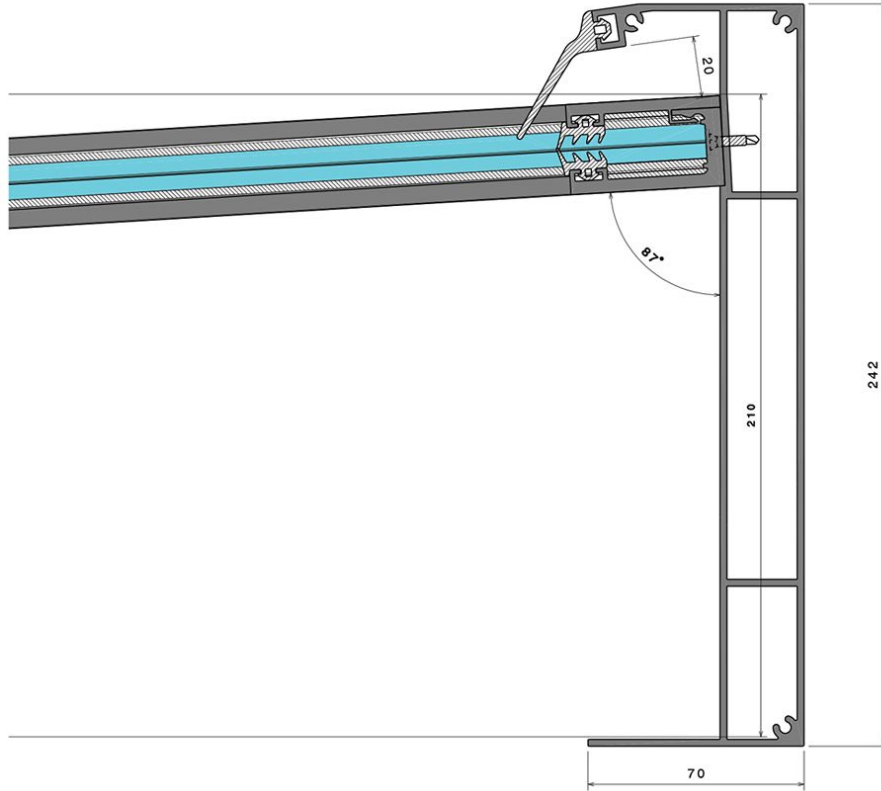
| 10 | Fix Piece Profile | 3257 grams |

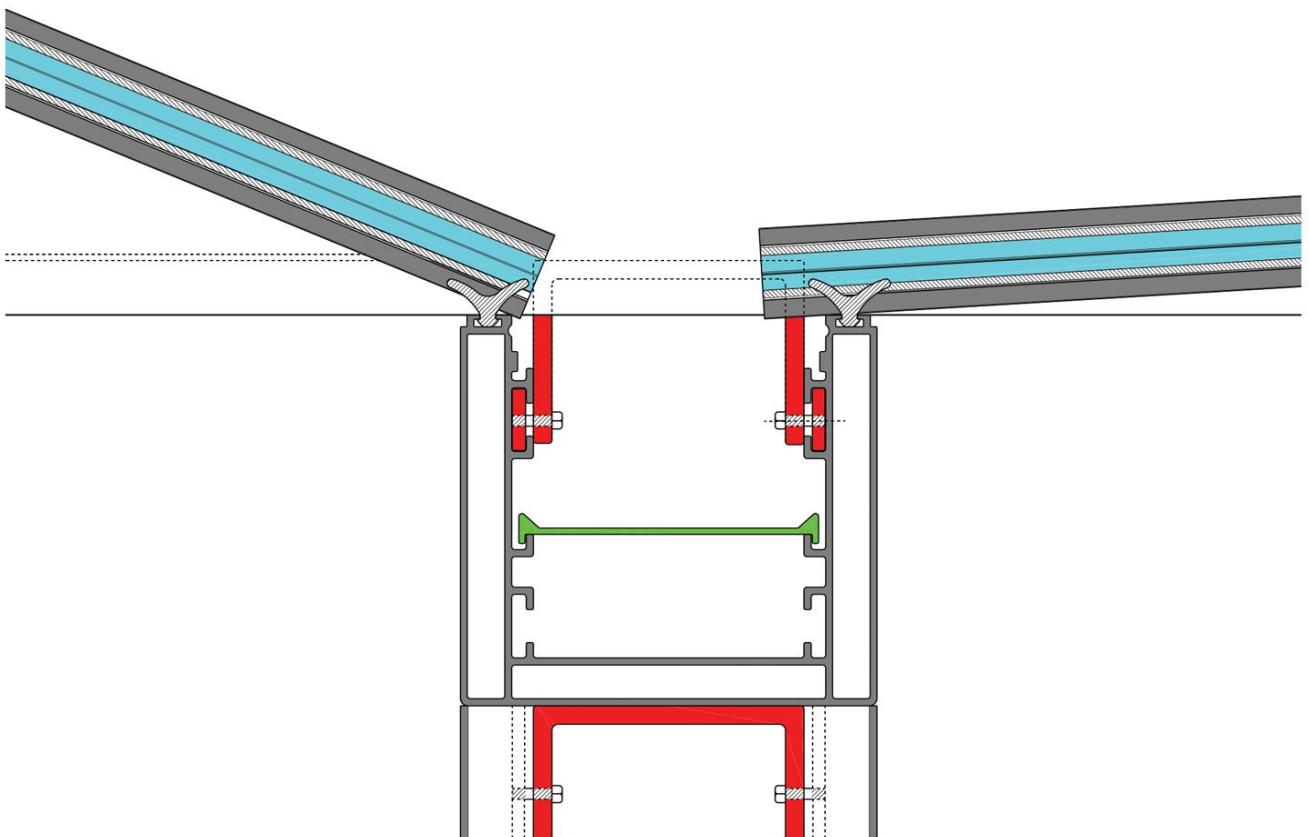


| 11 | Box Side Cap Profile | 1355 grams |



| 12 | Wall Holder Side Cap Profile | 1528 grams |







# Beta Version 03

© Copyright Allrights reserved it shall not be reproduce  
Aluminium Profiles Catalog / 2023 - 2024





**ALUXIL**  
A L U M I N I U M



Germany: Königsallee 27, 40212 Düsseldorf  
Tel : +49(211)73067256  
+49(211)73067258